



# SR-45 ADVANCED

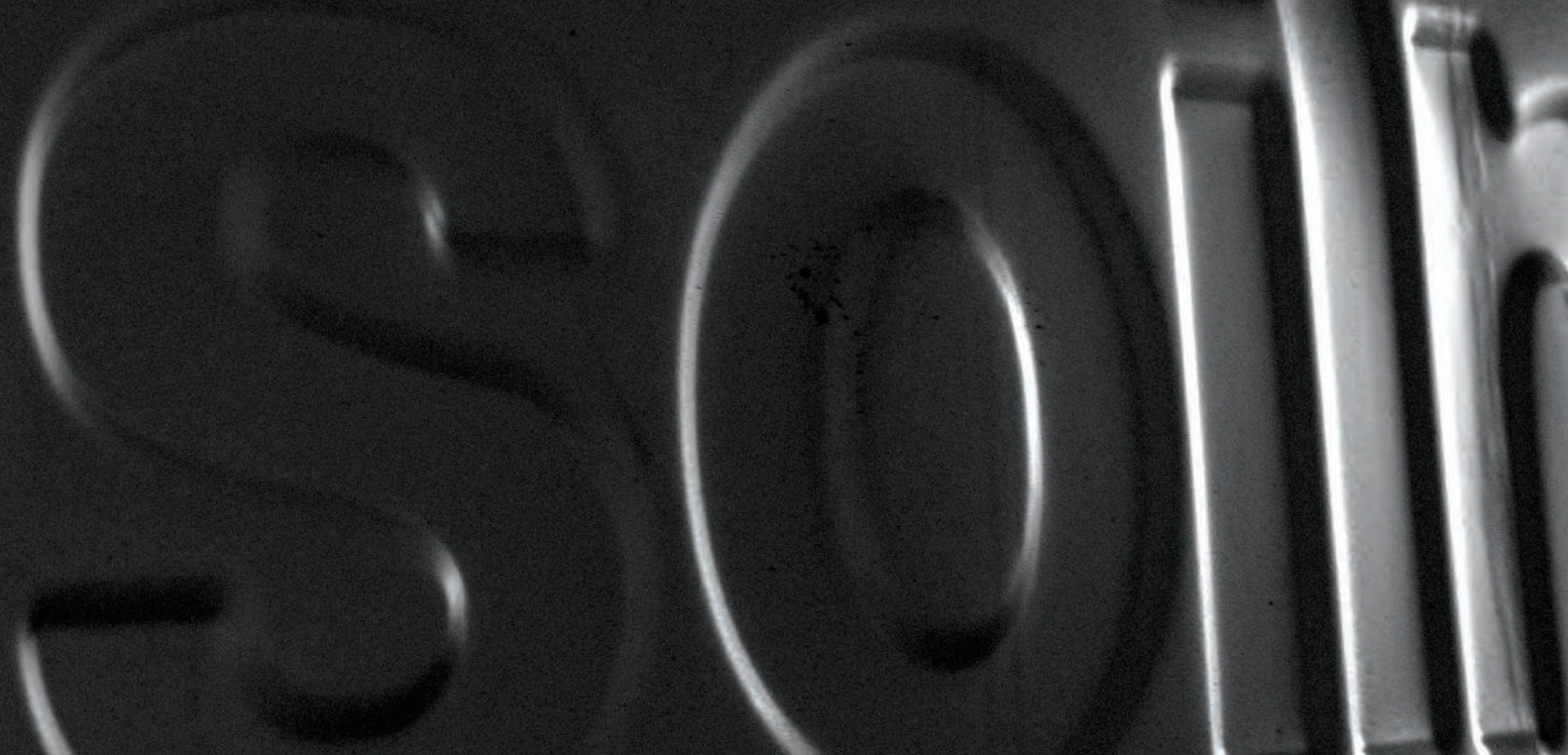
**soilmec**   
Drilling and Foundation Equipment



# This is a great story.

This is the story of machines, of million of pieces, both big and small, put together by human effort and ingenuity. Great, powerful, efficient rigs for deep foundations and shaped for your future.

This is the story of hard work, the daily toil of a team spread out across distant, almost inaccessible lands, but held together by common values and passion that knows no borders, because it's so perfectly human.





# Our Vision.

We aim to be leader in the foundation machinery industry by developing a superior competence on combining Machines, Technologies, Software and Service into unique solutions tailored on customer needs:



Soilmec the Ground Engineering Global Solution Provider



An aerial photograph of a construction site. A large blue crane, the SR-45 ADV, is positioned on a concrete pad. The crane's long jib extends upwards and outwards. The site is filled with rebar, scaffolding, and construction materials. The background shows a mix of concrete structures and greenery.

# SR-45 ADV. Flexible power with advanced technology.

**Advanced technology and flexibility.  
Setting new standards to outperform the  
foundation industry.**

SR-45 encapsulates power and technology adaptability in a compact size (less than 43 ton / 94,800 lb).

Its accurate and elaborate design makes SR-45 unique within its rig class.

Easy to operate, SR-45 can complete jobsite duties efficiently with maximum performance.





## EVO

### EVOLUTION

**Functionality:**  
it can meet specific piling requirements. Designed for bored piles with Kelly bar and CFA.



## ADV

### ADVANCED

**Flexibility:**  
it can suit different technologies. Designed for bored piles with Kelly bar and CFA; complementary kits allow to perform all piling and soil improvement techniques.



## HIT

### HIGH TECHNOLOGY

**Multifunctionality:**  
it can perform different technologies. Designed for bored piles with Kelly bar and CFA, it can be easily converted to perform all piling and soil consolidation techniques.

Advanced



# Focus on excellence.

A high power developing 209 kW (280 HP) thanks to the perfect combination of mechanical and hydraulic components.

An effective increase in productivity and better performance thanks to a faster feed/hoist system.







Performance

# SR-45 highlights.

A redesigned winch crowd system with an improved extraction force up to 240 kNm (53954 lbf) and a 15 m (49.2 ft) stroke to drive segmental casing of max. diameter 1200 mm (47 in).







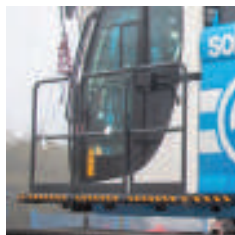


# Environment starts from safety.



As always, one of the main drivers of our projects is safety. For this reason, every Soilmec equipment can be purchased with the EN16228 certification package which includes all accessories/devices to ensure the highest level of accessibility and safety in accordance with European standards.

Each machine under goes the most stringent functional and performance tests: all loads are detected and compared with the expected values to guarantee the highest quality in production.





# Individuality, quality and technology.



The ergonomic H-cab model embraces the operator. A unique solution in this category (1050 mm /41.6 in wide) in which several accessories facilitate the work of the operator.

Fully adjustable seat, new air conditioner system and sliding door are some of the accessories you can find inside Soilmec cab.

The large windows are designed to improve visibility and brightness improving the general job site safety.

Thank to the package of video cameras with a monitor, has the feeling of full awareness of all the surrounding environment.



Safety & Comfort





## DMS on board

it is the heart of the rig able to monitor all the drilling phases directly from the operator's cab. The system consists of a multilanguage touch screen display fitted on a adjustable arm. It is designed to display in real time all the information related to the drilling phases.

## DMS manager 4.0

Soilmeco cloud-running application for remote, centralized supervision of the rig fleet and productivity in real time thanks to IoT technology.

## DMS PC

Licensed software that displays and process the data acquired by "DMS On Board".



# Your Soilmec rigs and your jobsite... all in your hands.

Total control through the most advanced monitoring system in foundation field.



DMS, Drilling Mate System, is the control center of your job site and Soilmec drilling rigs.

In 2004, Soilmec was the first manufacturer in the world to develop a system for the global control of the drilling rig and of the production processes.

DMS is available in each Soilmec rig and you can have 3 different packages that allow you to have the best possible control of your activities.

## Everything under control wherever you are.

CONTROL



# Supporting you all the way.



Technical  
support

Original  
spares

Training

Auditing

Maintenance  
service contracts

DMS  
control  
center



We are ready to support you  
at any stage of your choice



and we will always be at your side in every  
moment of your work.

Service





DP/  
TCT

Quick Change  
4-lines pull

CFA

Quick Change  
4-lines pull

LDP

Winch Crowd  
System (WCS)  
Crowd Cylinder  
System (CCS)

TJ

Quick Change  
4-lines pull

LHR

Crowd Cylinder  
System (CCS)



# A world of solutions.

Versatility means rapid conversion into all technologies you need. Among the many packages available, SR-45 offers 2 different types of continuous auger conversion: the first in order to have a quick and fast transformation.

In a few steps to transform your kelly bar rig into CFA Quick Change. The second if you need to set up your machine with the deepest CFA in its class 4-lines pull: up to 25 m (82 ft) drilling depth with auger cleaner and sleeve extension.

Low Head Room (LHR) package is also available on SR-45. This kit allows mast minimum heights (8.5 m/28 ft) and at the same time considerable drilling depth (up to 24 m/78,7 ft with friction kelly and mast extension).

Displacent and Turbojet technology can reach the maximum drilling depth of 23 m (75.6 ft);

SR-45 can be setted with or without lattice boom extension to give you the best solution you need.

**Anti-slack rope system.** The system is managed by the DMS ON BOARD and suggests when to slow down the kelly bar descent to avoids collisions with the bottom of the hole and excessive unwinding of the main rope.

**Autorotary.** The operator can active the rotary rotation by an additional pedal in alternative to the usual joystick.

**Automatic return to centre hole.** Designed to speed up the discharging phase.

**Automatic Greasing package.** You do not have to worry of when greasing. SR-45 takes care of itself automatically.

**CFA /DP technology.** Quick and easy package to convert the rig from LDP to CFA/DP.

**CFA autodrilling.** Automatic device for CFA drilling operations in order to control and optimize the drilling speed.

**Casing oscillator.** An hydraulic prearrangement to get ready your rig.

**Hydraulic device for foldable mast element.** It allows to speed up the assembly and set up of you rig.

Versatility

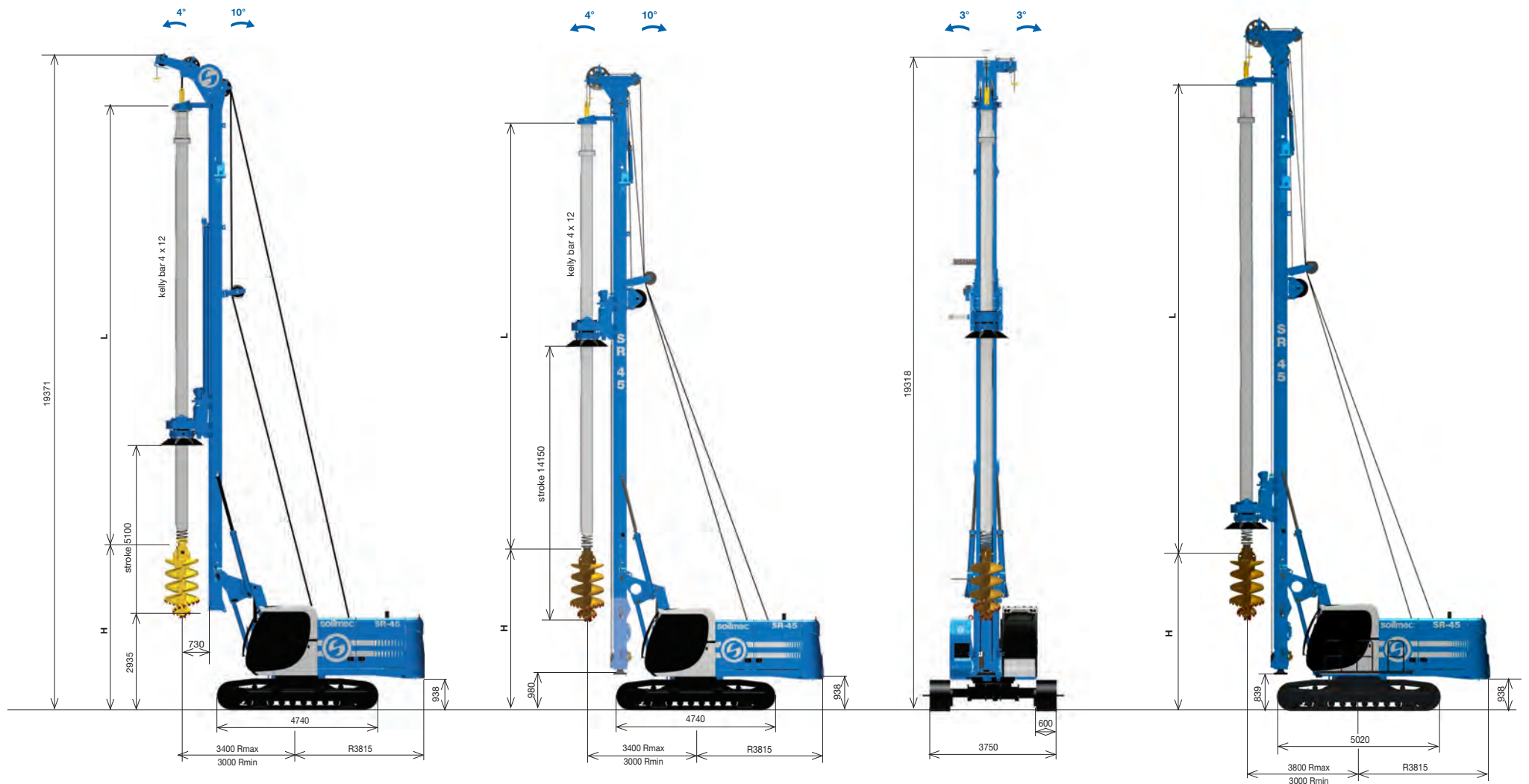


# Large Diameter Piles

Cylinder Crowd System

Winch Crowd System

Upgraded  
in WCS version



Drawing are not to scale All technical data are purely indicative and subject to change without notice



### LDP - Large Diameter Piles - CCS version

Operating weight Tier 4f - w/o kelly bar	37100 kg*	81791 lb
Max pile diameter along mast	1500 mm	59 in
Max pile diameter w/o lower mast section, tool below mast	3000 mm	118 in
Working radius	3000 - 3400 mm	118 - 133 in
Tail swing radius	3815 mm	150 in
Max pile depth-friction kelly	59,4 m	195 ft
Max pile depth-locking kelly	47,4 m	156 ft

\* For Stage V version. For T3 version weight reduced by 500 kg (1102 lb).

### LDP - Large Diameter Piles - WCS version

Operating weight Tier 4f - w/o kelly bar	39000 kg	85979 lb
Max pile diameter along mast	1400 mm	55 in
Max pile diameter w/o lower mast section, tool below mast	3000 mm	118 in
Working radius	3000 - 3400 mm	118 - 133 in
Tail swing radius	3815 mm	150 in
Max pile depth-friction kelly	65 m	213 ft
Max pile depth-locking kelly	51.7 m	170 ft

\* For Stage V version. For T3 version weight reduced by 500 kg (1102 lb).

### LDP - Large Diameter Piles - Upgraded version

Operating weight Tier 4f - w/o kelly bar - CCS version	39400 kg	886861 lb
Operating weight Tier 4f - w/o kelly bar - WCS version	41300 kg	91050 lb
Working radius	3000 - 3800 mm	118 - 150 in
Max pile depth	62,7 m	206 ft

## Kelly bars for LDP

	Kelly type	Kelly dimens.	Drilling Depth *		Weight		L Length		H CCS SYSTEM		H WCS SYSTEM	
			m	ft	ton	t (US)	m	ft	m	ft	m	ft
3 parts	BL HD	3 x 8	21,6	70.9	3,1	3.4	9,1	29.9	7,8	25.6	8,5	27.9
	BL HD	3 x 9	24,5	80.4	3,4	3.7	10,1	33.1	7,6	24.9	7,5	24.6
	BL HD	3 x 12	33,6	110.2	4,3	4.7	13,1	43.0	4,5	14.8	4,5	14.8
	BL HD	3 x 14	38,9	127.6	4,9	5.4	14,9	48.9	n/a	n/a	2,7	8.9
	BL HD	4 x 8	29,0	95.1	3,5	3.9	9,1	29.9	7,8	25.6	8,5	27.9
	BL HD	4 x 9	32,2	105.6	3,9	4.3	9,9	32.5	7,7	25.3	7,7	25.3
4 parts	BL HD	4 x 10,5	38,4	126.0	4,4	4.9	11,6	38.1	6,1	20.0	6,0	19.7
	BL HD	4 x 12	44,7	146.7	5,0	5.4	13,2	43.3	4,5	14.8	4,4	14.4
	BL HD	4 x 13	48,2	158.1	5,3	5.8	14,0	45.9	3,6	11.8	3,6	11.8
	BL HD	4 x 14	51,5	169.0	5,7	6.2	14,9	48.9	n/a	n/a	2,7	8.9
	FR HD	4 x 9	32,6	107.0	3,9	4.3	10,0	32.8	7,7	25.3	7,6	24.9
	FR HD	4 x 12	44,2	145.0	5,0	5.4	12,9	42.3	4,8	15.7	4,7	15.4
	FR HD	4 x 13	48,5	159.1	5,3	5.8	14,0	45.9	3,7	12.1	3,6	11.8
	FR HD	4 x 14	52,1	170.9	5,7	6.2	14,9	48.9	n/a	n/a	2,7	8.9
	FR HD	5 x 9	40,7	133.5	4,1	4.5	10,0	32.8	7,7	25.3	7,6	24.9
	FR HD	5 x 11	48,8	160.1	4,8	5.3	11,6	38.1	6,0	19.7	6,0	19.7
5 parts	FR HD	5 x 12	55,1	180.8	5,2	5.7	12,9	42.3	4,8	15.7	4,7	15.4
	FR HD	5 x 13	60,5	198.5	5,5	6.1	14,0	45.9	3,7	12.1	3,6	11.8
	FR HD	5 x 13,5	63,8	209.3	5,7	6.3	14,6	47.9	n/a	n/a	3,0	9.8
	FR HD	5 x 14	65,0	213.3	5,9	6.5	14,9	48.9	n/a	n/a	2,7	8.9

\* Reduced drilling depth by 1.1 m (3.61 ft) in CCS version

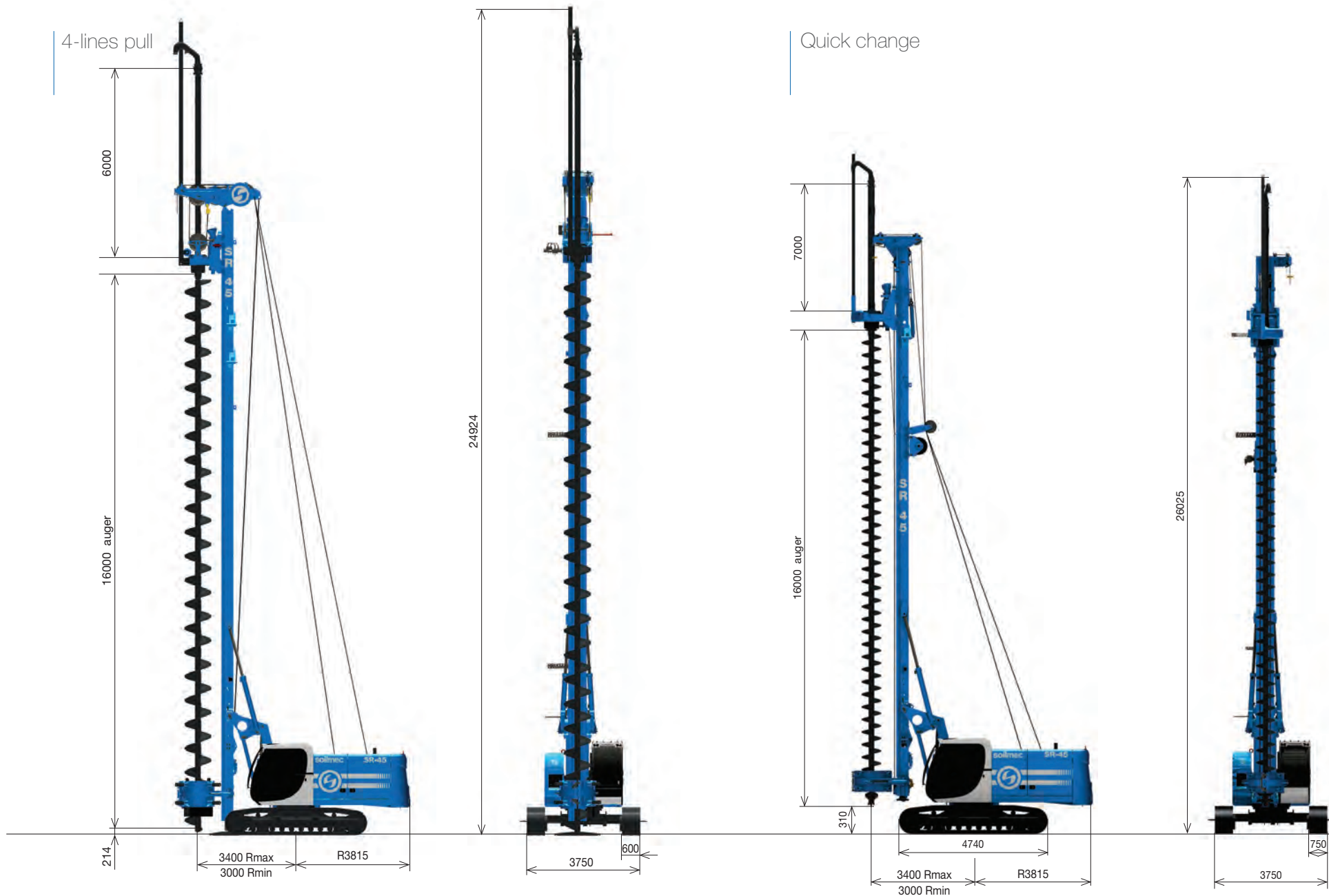
Kelly bar c/w stub 150x150 mm

Drilling depth with tool 1500 mm (4.9 ft) long

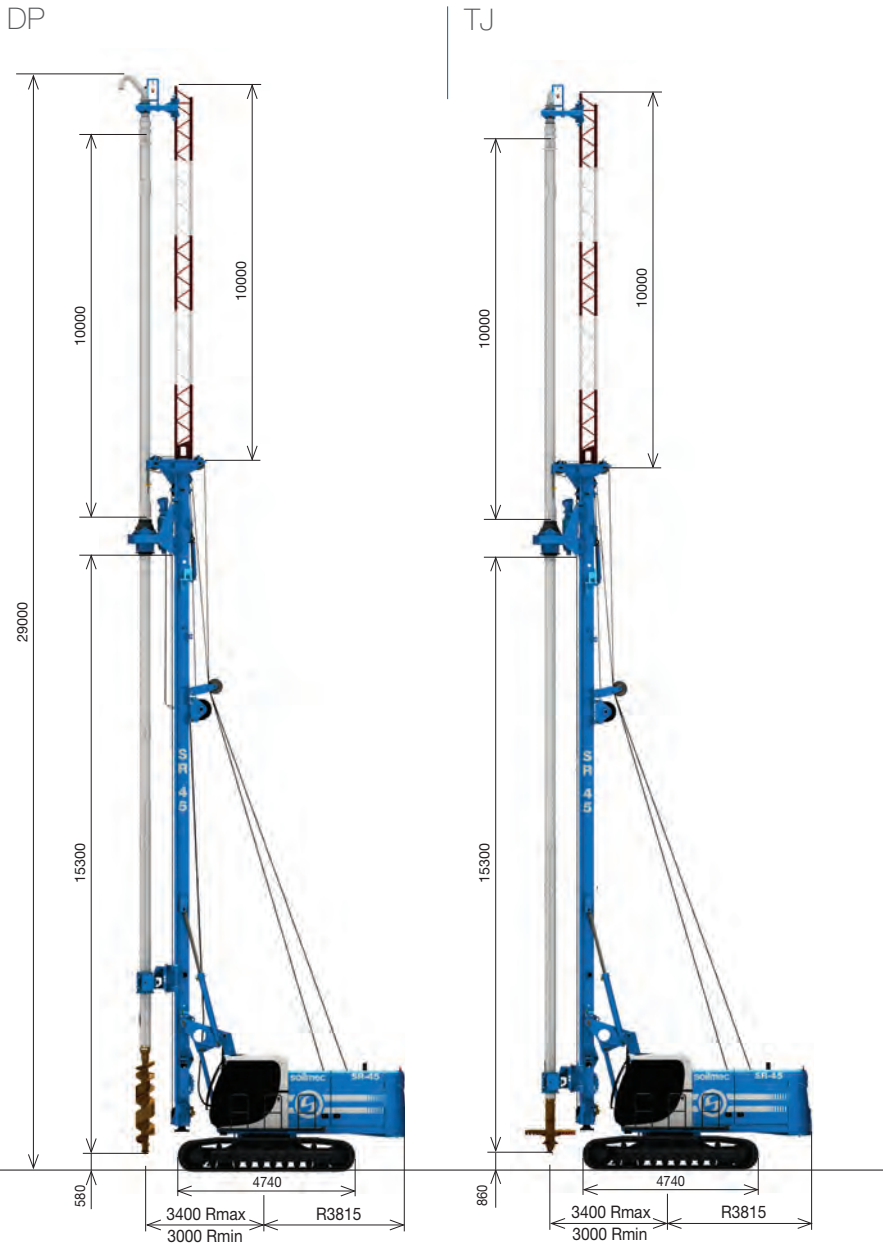
Reduced drilling depth by 1200 mm (3.9 ft) without lower mast section.



# CFA / DP / TJ



# DP/TJ applications



CFA - Continuous Flight Auger - 4 line pull - standard version		
Operating weight (c/w 6 m / 19.7 ft sleeve extension, w/o auger)	40600 kg	89507 lb
Max pile diameter	1000 mm	39.37 in
Max length of auger	16 m	52 ft
Max length of sleeve extension	6 m	20 ft
Max pile depth c/w 6 m sleeve extension*	21,5 m	71 ft
Extraction force	480 kN	107906 lbf
Additional extraction force on auger (on request)	100 kN	22481 lbf

CFA - Continuous Flight Auger - 4 lines pull - special version		
Operating weight (c/w 6 m / 19.7 ft sleeve extension, w/o auger)	42100 kg	92814 lb
Max pile diameter	1000 mm	39.37 in
Max length of auger	18,5 m	61 ft
Max length of sleeve extension	8 m	26 ft
Max pile depth c/w 6 m / 19.7 ft m sleeve extension*	24 m	78.7 ft
Extraction force	455 kN	102286 lbf
Additional crowd force on auger (on request)	100 kN	22481 lbf

CFA - Continuous Flight Auger - Quick change		
Operating weight (c/w 6 m / 19.7 ft sleeve extension, w/o auger)	40900 kg	90168 lb
Max pile diameter	1000 mm	39.37 in
Max length of auger	16 m	52 ft
Max length of sleeve extension	8 m	26 ft
Max pile depth c/w 7 m / 23 ft m sleeve extension*	21 m	69 ft
Max pile depth with special package (auger length: 17 m - 55,7 ft, on request)	23,2 m	76 ft
Extraction force	394 kN	88573 lbf
Crowd force on auger	140 kN	31473 lbf

\*depth reduced of 1 m (3.28 ft) with hydraulic auger cleaner

DP - Displacement pile - Quick change*		
Operating weight (w/o string and tool, c/w lattice)	43500 kg	95900 lb
Max recommended DP pile diameter	350 mm	13.78 in
Max recommended TCT pile diameter	400 mm	15.75 in
Max length of string	15,3 m	50 ft
Max pile depth w/o lattice boom extension c/w 7 m (23 ft) string extension	20,0 m	66 ft
Lattice boom extension length	10,0 m	33 ft
Max pile depth c/w lattice boom extension	23,0 m	75 ft

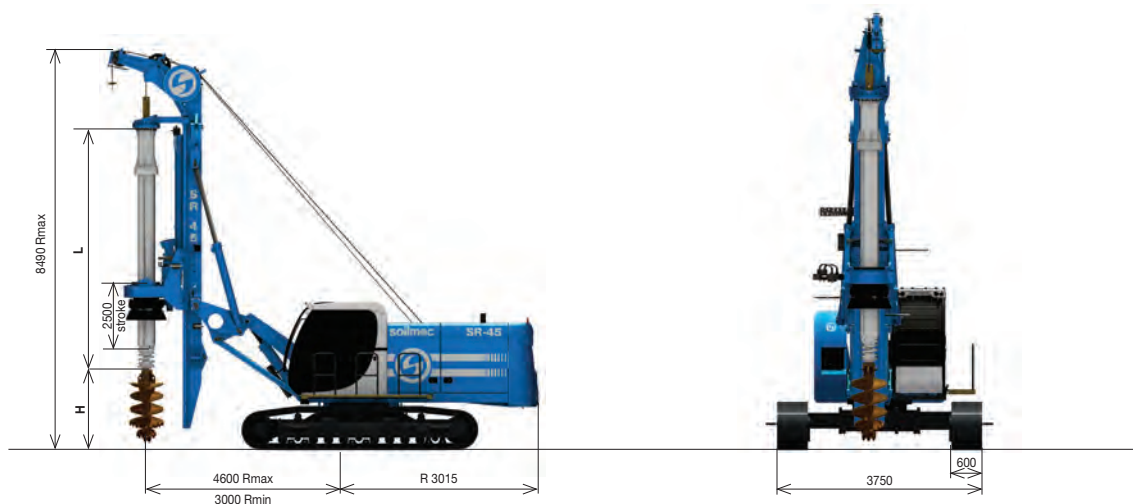
TJ - Turbo jet - Quick change*		
Operating weight (w/o string and tool, c/w lattice)	43900 kg	96782 lb
Max recommended TJ pile diameter	1000 mm	39.37 in
Max length of string	15,3 m	50 ft
Max pile depth w/o lattice boom extension c/w 6 m (23 ft) string extension	19,0 m	62 ft
Lattice boom extension length	10,0 m	33 ft
Max pile depth c/w lattice boom extension	23,0 m	75 ft

\* DP/TCT and TJ are also available with 4-line pull version



# LHR

## Low Head Room



### LHR Low Head Room

<b>Operating weight w/o kelly bar</b>	<b>35800 kg</b>	<b>78925 lb</b>
<b>Min operating height without / with mast extension</b>	<b>8,5 / 9,8 m</b>	<b>28 / 32 ft</b>
<b>Max operating height without / with mast extension</b>	<b>9,5 / 10,75 m</b>	<b>31 / 35 ft</b>
<b>Max pile diameter</b>	<b>1500 mm</b>	<b>59 in</b>
<b>Max pile diameter w/o lower mast section, tool below mast</b>	<b>3000 mm</b>	<b>118 in</b>
<b>Max pile depth-friction kelly (c/w mast extension)</b>	<b>23,7 m</b>	<b>78 ft</b>
<b>Max pile depth-locking kelly (c/w mast extension)</b>	<b>19,3 m</b>	<b>63 ft</b>
<b>Cylinder crowd system stroke</b>	<b>2500 mm</b>	<b>98,43 in</b>
<b>Crowd force pull (down/up)</b>	<b>140 / 207 kN</b>	<b>31473 / 46535 lbf</b>
<b>Working radius</b>	<b>4600 - 3000 mm</b>	<b>181 - 118 in</b>

Drawing are not to scale All technical data are purely indicative and subject to change without notice

## Kelly bar for LHR

### Standard version

H max 8,5 m / 28 ft - Max working radius

Kelly type	Kelly dimens.	Weight		Drilling Depth		L Length		Clearance	
		ton	t(US)	m	ft	m	ft	m	ft
BL HD	4 x 4,5	2,2	2.4	15,9	52.2	5,5	18.0	1,5	4.9
BL HD	4 x 5	2,4	2.6	16,5	54.1	5,8	18.9	1,2	3.9
BL HD	5 x 4,5	2,4	2.6	19,4	63.6	5,5	18.0	1,5	4.9
BL HD	5 x 5	2,6	2.9	20,3	66.6	5,8	18.9	1,2	3.9

### Mast extended version

H max 9,8 m / 31,5 ft with CCS in low position - Max working radius

Kelly type	Kelly dimens.	Weight		Drilling Depth		L Length		Clearance	
		ton	t(US)	m	ft	m	ft	m	ft
BL HD	4 x 4,5	2,2	2.4	15,9	52.2	5,5	18.0	2,7	8.9
BL HD	4 x 5	2,4	2.6	17,0	55.8	5,8	18.9	2,4	7.9
BL HD	4 x 5,5	2,6	2.9	19,3	63.3	6,4	20.8	1,8	5.9
BL HD	5 x 4,5	2,4	2.6	19,4	63.6	5,5	18.0	2,7	8.9
BL HD	5 x 5	2,6	2.9	20,8	68.2	5,8	18.9	2,4	7.9
BL HD	5 x 5,5	2,8	3.1	23,7	77.8	6,4	20.8	1,8	5.9

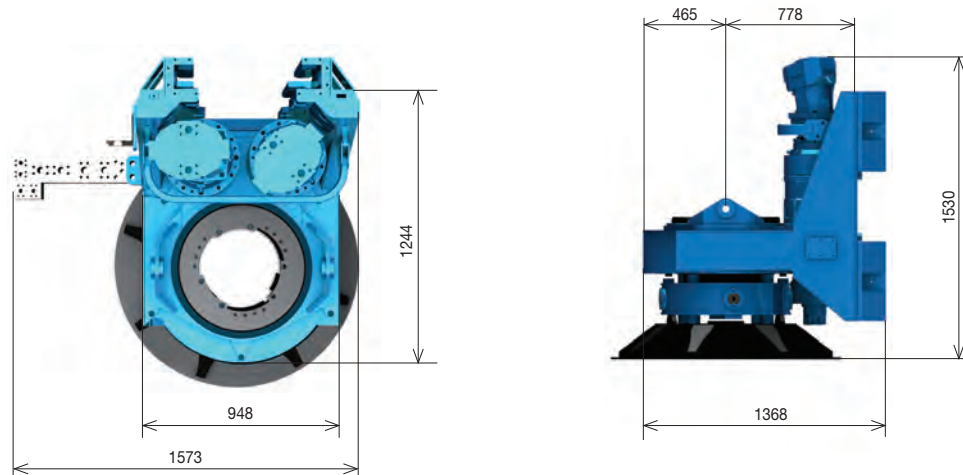
### Mast extended version

H max 10 m / 23 ft with CCS in high position - Max working radius

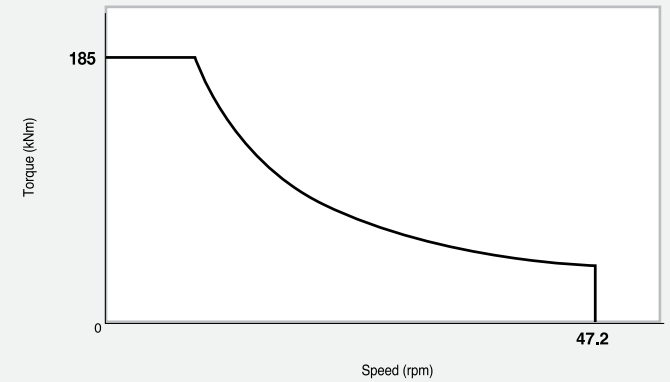
Kelly type	Kelly dimens.	Weight		Drilling Depth		L Length		Clearance	
		ton	t(US)	m	ft	m	ft	m	ft
BL HD	4 x 4,5	2,2	2.4	14,4	47.2	5,5	18.0	2,7	8.9
BL HD	4 x 5	2,4	2.6	15,5	50.9	5,8	18.9	2,4	7.9
BL HD	4 x 5,5	2,6	2.9	17,8	58.4	6,4	20.8	1,8	5.9
BL HD	5 x 4,5	2,4	2.6	17,9	58.7	5,5	18.0	2,7	8.9
BL HD	5 x 5	2,6	2.9	19,3	63.3	5,8	18.9	2,4	7.9
BL HD	5 x 5,5	2,8	3.1	22,2	72.8	6,4	20.8	1,8	5.9

# Rotary

Increased drilling axis



Rotary torque diagram



*The easy replacement of the drive ribs and pads have been purposely designed for the specific needs of the job site.*

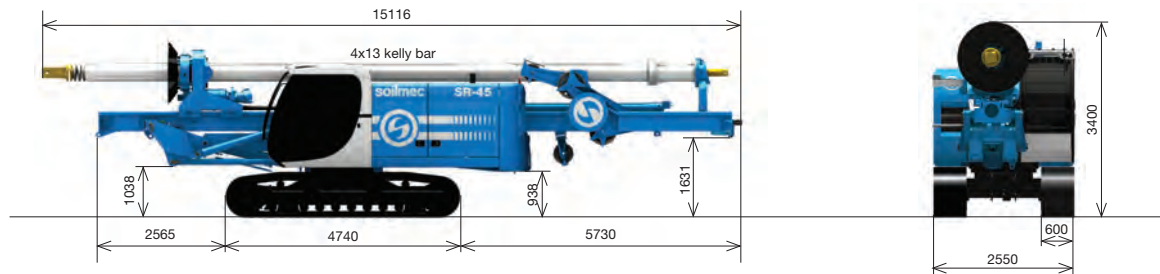
*The rotary implements with a new device that allows the automatic control of the motor displacement. This optimizing the drilling speed and the productivity in every phase.*

Rotary drive	Spin off type	Spin off type
<b>Max torque</b>	<b>185 kNm</b>	<b>136447 lbf*ft</b>
<b>Rated torque</b>	<b>161 kNm</b>	<b>118746 lbf*ft</b>
<b>Max drilling speed</b>	<b>47 rpm</b>	<b>47 rpm</b>
<b>Spin off speed</b>	<b>146 rpm</b>	<b>146 rpm</b>
<b>Weight (w/o cradle and casing flange)</b>	<b>2850 kg</b>	<b>6283 lb</b>



# Transport

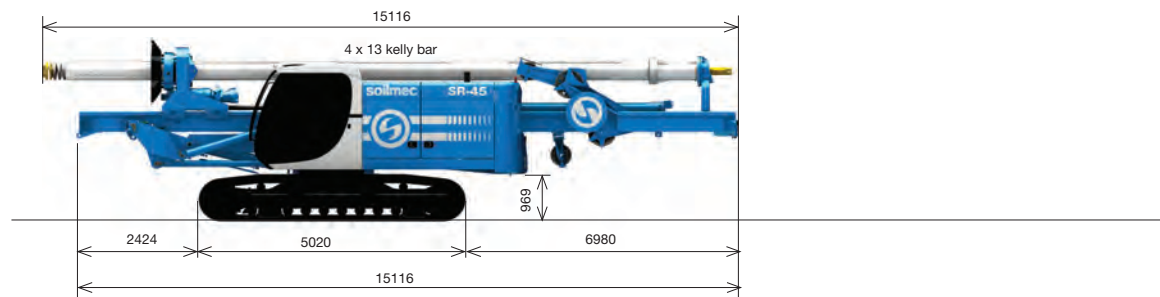
## Dimensions and Weights



Transport standard version	CCS		WCS	
Transport weight*	42400 kg	93475 lb	44300 kg	97664 lb
Transport length**	15116 mm	49.6 ft	15200 mm	49.9 ft

\* includes the base carrier Tier 4f, c/w undercarriage, mast, rotary and 4x13 m kelly bar

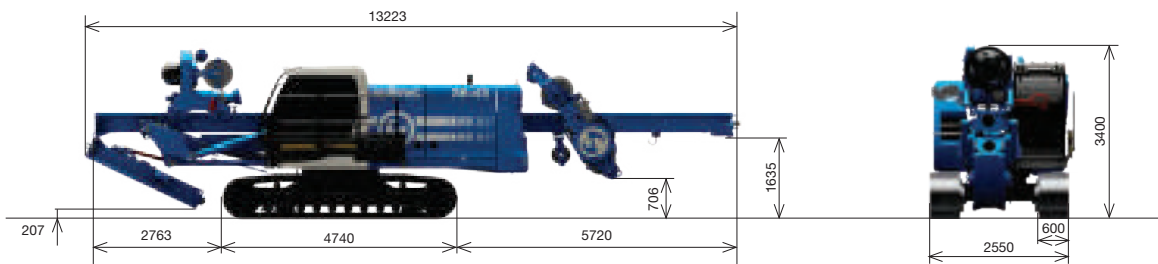
\*\* with 4x13m kelly bar



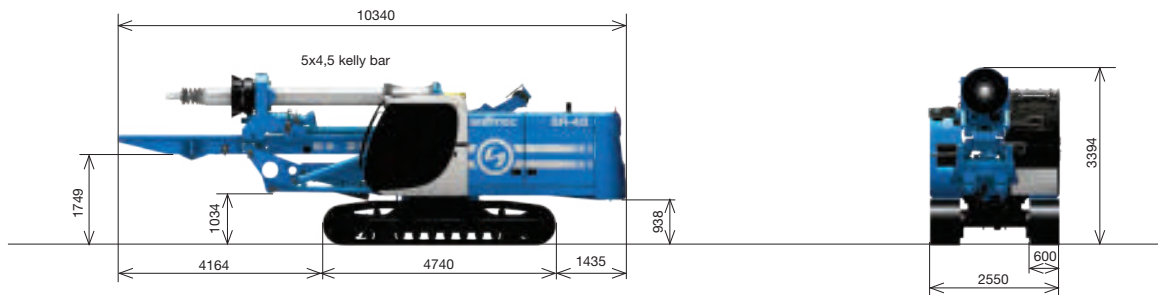
Transport upgraded version	CCS		WCS	
Transport weight*	44700 kg	988546 lb	46600 kg	102734 lb
Transport length**	15116 mm	49.6 ft	15120 mm	49.6 ft

\* includes the base carrier Tier 4f, c/w undercarriage, mast, rotary and 4x13 m kelly bar

\*\* with 4x13m kelly bar



Transport CFA version	4-line pull		Quick change	
<b>Transport weight</b>	<b>38500 kg</b>	<b>84877 lb</b>	<b>38600 kg</b>	<b>85098 lb</b>
<b>Transport length</b>	<b>13250 mm</b>	<b>43.5 ft</b>	<b>13250 mm</b>	<b>43.5 ft</b>



Transport LHR version	8.5		9.75	
<b>Transport weight</b>	<b>38000 kg</b>	<b>83775 lb</b>	<b>38400 kg</b>	<b>84657 lb</b>
<b>Transport length</b>	<b>10340 mm</b>	<b>33.9 ft</b>	<b>10340 mm</b>	<b>33.9 ft</b>

\* includes the base carrier Tier 4f, c/w undercarriage, mast, rotary and 4x4,5 m kelly bar

\*\* with 4x4,5m kelly bar



# Technical data

## Crowd system



CCS_Cylinder Crowd System		
- Stroke	5100 mm	201 in
- Crowd force pull (down/up)	140 / 207 kN	31473 / 46535 lbf
- Speed up	19 m/min	62 ft/min
- Speed down	25 m/min	82 ft/min
WCS_Winch Crowd System		
- Stroke	14175 mm	740 in
- Crowd force pull (down/up)	240 / 240 kN	53953 / 53953 lbf
- Speed up	22 m/min	71 ft/min
- Speed down	22 m/min	72 ft/min

## Engine



Engine	Cummins B6.7	Cummins B 6.7
- Rated output	209 kW @ 2000 rpm	280 HP @ 2000 rpm
- Engine conforms to Exhaust emission Standard	EU Stage V / US EPA Tier 4f	EU Stage V / US EPA Tier 4f
- Fuel tank capacity	380 l	100 US gal
- AD Blue tank capacity	57 l	15 US gal

Available: Engine Tier 3 power rating 201 kW @ 2000 rpm

## Hydraulic system



The cleaning of hydraulic oils is electronically monitored and any clogging is show to operator on DMS control system in the cab.

Main pumps flow		
- Main pump flow	2x 214 l/min	2x 57 US gal/min
- Auxiliary pump flow	160 l/min	42 US gal/min
- Hydraulic oil tank	450 l	119 US gal

## Winches



Main winch		
- Type	controlled descent	controlled descent
- Line pull (1st layer)	165 kN	37093 lbf
- Rope diameter	24 mm	740 in
- Line speed (max.)	78 m/min	256 ft/min

Auxiliary winch		
- Type	controlled descent	controlled descent
- Line pull (1st layer)	65 kN	14612 lbf
- Rope diameter	18 mm	740 in
- Line speed (max.)	81 m/min	266 ft/min

## Noise



Noise		
- Sound pressure level in cab c/w Tier 4f	76 dB(A)	76 dB(A)
- Sound power level c/w Tier 4f	107 dB(A)	109 dB(A)
- Vibration transmitted to the hand-arm system of the machine operator	< 2.5 m/s	< 2.5 m/s
- Vibration transmitted to the whole body of the machine operator	< 0.5 m/s	< 0.5 m/s

## Undercarriage



Especially designed for heavy duty applications that require less penetration, better turning capability and less ground disturbance. Maintenance-free crawler track. Hydraulic chain tensioning device.

Undercarriage		
- Type	variable gauge, telescoping sides frames	variable gauge, telescoping sides frames
- Overall width with retracted / extended crawlers*	2550 / 3750 mm	100 / 148 in
- Width of triple grouser track shoes	600 mm	24 in
- Overall length of crawlers	4740 mm	187 in
- Traction force	424 kN	95317 lbf
- Travelling speed	1,9 km/h	1.18 mph

\* upgraded undercarriage is available on request

## H-cab



Soilmec H-cab. By assessing the specific application and listening properly to the wishes and requirements of the operators, Soilmec provides the optimal operator cab for comfort. Ergonomic seat with air suspension, fully adjustable, lumbar support, air management, as well as lines of sight, quality and safety are standard aspects considered during the design of the right configuration for the cabin.

- Cabin width	1050 mm	3.4 ft
- Sliding door		
- Courtesy lights		
- Air conditioning system and climate control unit		
- Radio player with USB aux port		

## Controls



DMS control system, developed and manufactured by Soilmec - is designed to give you a total control over performance, production and all your drilling rigs. In real time all the information relating to the operation work cycles and diagnostics of faults are shown on a multi language touch screen display installed in the cab.

All drilling operations are actuated by two innovative joysticks.

Automatic controls of rotary head and drilling phases are available on request thanks to simple-imple-mentation of our DMS system.

# Configurations

	LDP Large Diameter Pile with Kelly bar			CFA Continuous Flight Auger Piles		LDP Large Diameter Pile with Kelly bar			CFA Continuous Flight Auger Piles	
	(WCS)	(CCS)	(LHR)	(4-lines pull)	(Quick change)	(WCS)	(CCS)	(LHR)	(4-lines pull)	(Quick change)
<b>UNDERCARRIAGE</b>										
Undercarriage 2550/3750/600	●	●	●	●	●	●	●	●	●	●
Upgraded undercarriage 2550/4000/600	○	○	○	○	○	○	○	○	○	○
Mechanical prearrangement for casing oscillator	●	●	●	●	●	●	●	●	●	●
Hydraulic prearrangement for casing oscillator	○	○	○	n.a.	n.a.	○	○	○	○	○
VRM12GKL casing oscillator	○	○	○	n.a.	n.a.	○	○	○	○	○
Radio remote control for trimming operation	○	○	○	○	○	○	○	○	○	○
<b>UPPER STRUCTURE</b>										
Diesel engine Cummins QSB6.7 EU Stage V – US EPA Tier 4F	●	●	●	●	●	●	●	●	●	●
Diesel engine Cummins QSB6.7 EU Stage IIIA – US EPA Tier 3	○	○	○	○	○	○	○	○	○	○
Start and slow system	●	●	●	●	●	●	●	●	●	●
Harness technology for electrical system	●	●	●	●	●	●	●	●	●	●
Automatic greasing package	○	○	○	○	○	○	○	○	○	○
PTO kit	○	○	○	○	○	○	○	○	○	○
Machine lifting kit (harbor use)	○	○	○	○	○	○	○	○	○	○
Foldable side catwalks for cabin with handrails	○	○	○	○	○	○	○	○	○	○
Acoustic & light alarm for trimming	●	●	●	●	●	●	●	●	●	●
Lighting led system package	○	○	○	○	○	○	○	○	○	○
Sound proofed canopies	●	●	●	●	●	●	●	●	●	●
Front support for tools	○	○	○	○	○	○	○	○	○	○
<b>H-CAB</b>										
Front protective grille	●	●	●	●	●	●	●	●	●	●
Falling object protective structure (FOPS)	●	●	●	●	●	●	●	●	●	●
Lower front protective grille	●	●	●	●	●	●	●	●	●	●
Rearview mirrors	●	●	●	●	●	●	●	●	●	●
Comfort package	●	●	●	●	●	●	●	●	●	●
Operator seat (air suspension, lumbar support, fully adjustable positioning, safety belt & operator presence micro-switch)	●	●	●	●	●	●	●	●	●	●
Sliding door	●	●	●	●	●	●	●	●	●	●
Sliding window	○	○	○	○	○	○	○	○	○	○
Lighting system in front of the cab	○	●	●	●	●	○	●	●	●	●
<b>CONTROL AND MONITORING SYSTEM</b>										
DMS ON BOARD with technological package	●	●	●	●	●	●	●	●	●	●
DMS PC	○	○	○	○	○	○	○	○	○	○
DMS manager 4.0	○	○	○	○	○	○	○	○	○	○
GSM / GPRS / WIFI Modem	●	●	●	●	●	●	●	●	●	●
DMS ON BOARD adjustable monitor 12" touch screen	●	●	●	●	●	●	●	●	●	●
Video control by 4 cameras with display in the cab	○	○	○	○	○	○	○	○	○	○
Inclinometer device	●	●	●	●	●	●	●	●	●	●
<b>WINCHES</b>										
Main winch SW160 model	●	●	●	●	●	●	●	●	●	●
Load cell for main winch	○	○	○	○	○	○	○	○	○	○
Limit switch for rope winding and winches	○	○	○	○	○	○	○	○	○	○
Depthmeter for main winch	●	●	●	●	●	●	●	●	●	●
Anti-slack system for main winch	○	○	n.a.	n.a.	n.a.	○	○	○	○	○
Service winch SW65 model	●	●	●	●	●	●	●	●	●	●
Load cell for service winch	○	○	○	○	○	○	○	○	○	○
Service rope holder	○	○	○	○	○	○	○	○	○	○
<b>ROTARY UNIT</b>										
Rotary unit c/w spinoff, Max torque intermitted: 184.8 kNm (136301 lbf*ft)	●	●	●	●	●	●	●	●	●	●
Spin off system	●	●	●	●	●	●	●	●	●	●
Replaceable drive ribs	●	●	●	●	●	●	●	●	●	●
Automatic greasing kit for cradle	○	○	○	○	○	○	○	○	○	○
Oil discharge conveying system	○	○	○	○	○	○	○	○	○	○
<b>MAST</b>										
Hydraulic folding mast kit	○	○	n.a.	○	○	○	○	○	○	○
Pressure automatic control of lifting cylinders	●	●	●	●	●	●	●	●	●	●
Automatic greasing package for cathead	○	○	○	○	○	○	○	○	○	○
<b>KELLY BAR TECHNOLOGY</b>										
Rotary sleeve with 3 ribs	●	●	●	●	●	●	●	●	n.a.	n.a.
Replaceable rotary ribs	●	●	●	●	●	●	●	●	n.a.	n.a.
Cardan joint	●	●	●	●	●	●	●	●	n.a.	n.a.
Flange for casing driving d.1300 mm (51.1 in)	●	●	●	●	●	●	●	●	n.a.	n.a.
Flange for casing driving d.900 mm (34.4 in)	○	○	○	○	○	○	○	○	n.a.	n.a.
Spin off discharging system	●	●	●	●	●	●	●	●	n.a.	n.a.
Automatic return to the centre hole	○	○	○	○	○	○	○	○	n.a.	n.a.
Package to increase the drilling depth up to 62.7 m (205 ft)	○	○	n.a.	○	○	○	○	n.a.	n.a.	n.a.
Telescopic mast foot	●	n.a.	n.a.	○	○	○	○	n.a.	n.a.	n.a.
<b>CFA TECHNOLOGY</b>										
HD4 sleeve type	n.a.	n.a.	n.a.	○	○	n.a.	n.a.	n.a.	○	○
HD5 sleeve type	n.a.	n.a.	n.a.	●	●	n.a.	n.a.	n.a.	○	○
HD15 sleeve type	n.a.	n.a.	n.a.	○	○	n.a.	n.a.	n.a.	○	○
Sleeve 3 m / 9.0 ft long	n.a.	n.a.	n.a.	○	○	n.a.	n.a.	n.a.	○	○
Sleeve 7 m / 19.7 ft long	n.a.	n.a.	n.a.	○	○	n.a.	n.a.	n.a.	○	○
Sleeve 8 m / 26.2 ft long	n.a.	n.a.	n.a.	○	○	n.a.	n.a.	n.a.	○	○
Package for CFA 21 m / 68.9 ft drilling depth w/o cleaner	n.a.	n.a.	n.a.	●	●	n.a.	n.a.	n.a.	○	○
Package for CFA 23.2 m / 76.9 ft drilling depth w/o cleaner	n.a.	n.a.	n.a.	n.a.	n.a.	n.a.	n.a.	n.a.	n.a.	○
Package for CFA 26 m / 85.3 ft drilling depth w/o cleaner	n.a.	n.a.	n.a.	○	○	n.a.	n.a.	n.a.	○	n.a.
DMS ON BOARD with automatic auger lifting	n.a.	n.a.	n.a.	●	●	n.a.	n.a.	n.a.	○	○
Autodrilling package	n.a.	n.a.	n.a.	○	○	n.a.	n.a.	n.a.	○	○
Autorotary package	n.a.	n.a.	n.a.	○	○	n.a.	n.a.	n.a.	○	○
Automatic greasing kit for CFA cathead	n.a.	n.a.	n.a.	○	○	n.a.	n.a.	n.a.	○	○
Additional pull-down winch	n.a.	n.a.	n.a.	○	○	n.a.	n.a.	n.a.	○	n.a.
Universal openable lower guide d.1000 mm / 39.4 in	n.a.	n.a.	n.a.	●	●	n.a.	n.a.	n.a.	○	○
Hydraulic kit for lower guide	n.a.	n.a.	n.a.	○	○	n.a.	n.a.	n.a.	○	○
Auger cleaner star type	n.a.	n.a.	n.a.	○	○	n.a.	n.a.	n.a.	○	○
Double roller auger cleaner d.1000 mm / 39.4 in	n.a.	n.a.	n.a.	○	○	n.a.	n.a.	n.a.	○	○
Two pressure transducers kit	n.a.	n.a.	n.a.	○	○	n.a.	n.a.	n.a.	○	○
Concrete pipe on turret and mast	n.a.	n.a.	n.a.	○	○	n.a.	n.a.	n.a.	○	○
Hydraulic prearrangement for VTH-1 vibrator	n.a.	n.a.	n.a.	○	○	n.a.	n.a.	n.a.	○	○
Lattice mast extension for DP/TCT and TJ technology	n.a.	n.a.	n.a.	○	○	n.a.	n.a.	n.a.	n.a.	○
Additional package for DP/TCT technology: 23 m / 75.5 ft depth with lattice extension	n.a.	n.a.	n.a.	○	○	n.a.	n.a.	n.a.	n.a.	○
Additional package for TJ technology: 23 m / 75.5 ft depth with lattice extension	n.a.	n.a.	n.a.	○	○	n.a.	n.a.	n.a.	n.a.	○

● standard ○ optional n.a. not available

● standard equipment for CE certification





[www.soilmec.it](http://www.soilmec.it)

This brochure has been edited and distributed by SOILMEC Spa. The present document cancels and override any previous ones. This brochure shall not be distributed, reproduced or exhibited without SOILMEC Spa. authorization in accordance with to SOILMEC web site disclaimer condition.

SOILMEC Spa distributes machinery and structures all over the world, supported by SOILMEC Spa subsidiary companies and dealers. The complete Soilmec network list is available on the web site [www.soilmec.it](http://www.soilmec.it)