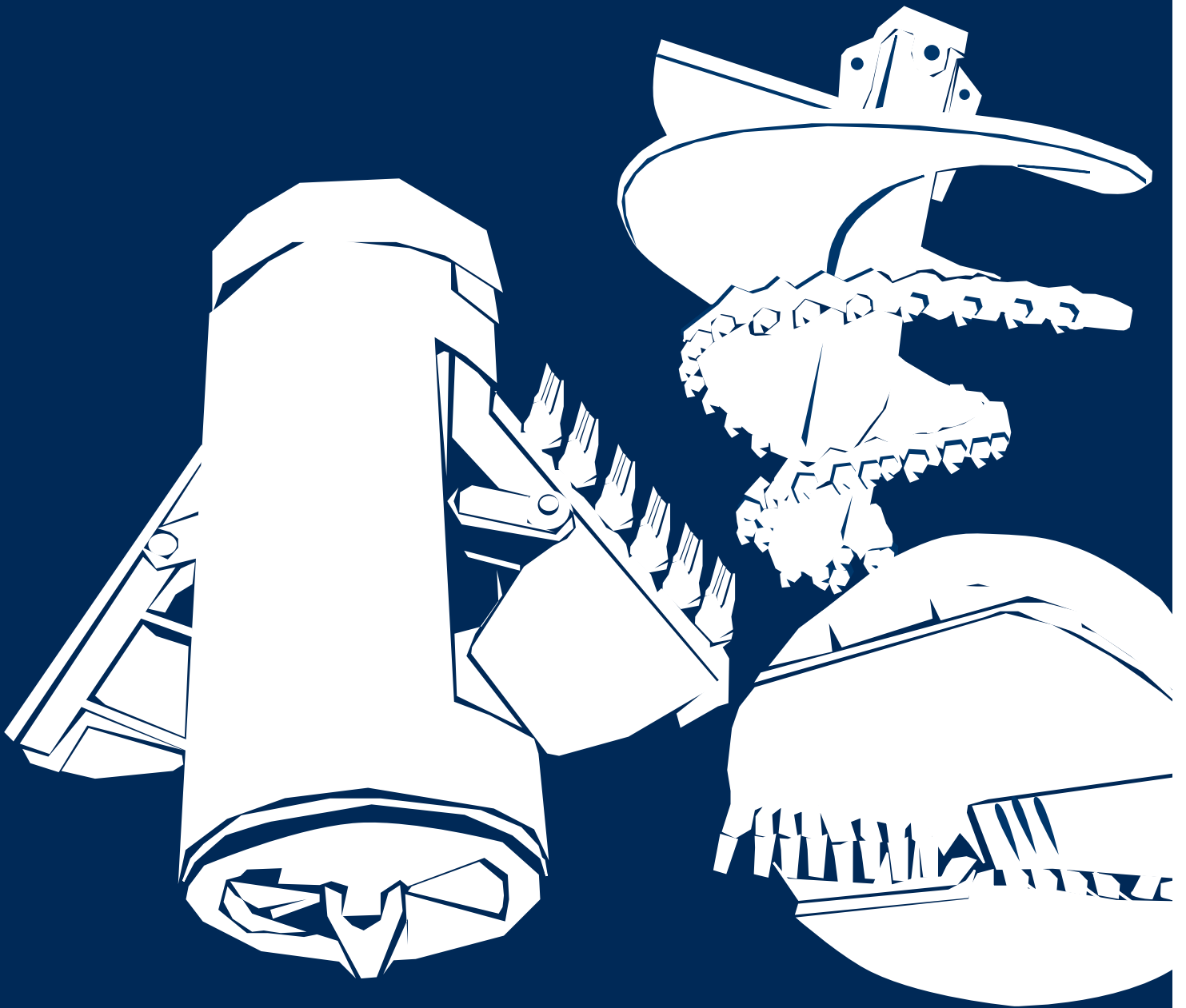


# Drilling Tools

ROTARY DRILLING RIG



# Drilling Tools

## A new model

Selecting the correct cutting tool is a complicated decision that any piling Contractor will face on every job in order to complete it on time and, therefore, the use of an appropriate tool capable of achieving the overall expected productivity level is vital.

Soilmec has become a worldwide reference point based on over four decades of experience providing appropriate solutions in the underground engineering sector.

Soilmec drilling tools are the result of years of research, investigation and innovation in the mechanical excavation sector. Collecting data from different job sites, testing our tools in different soil conditions and studying the performance in environments varying from very soft soils to the most difficult geological conditions, understanding Clients needs and verifying performances, has positioned Soilmec as one of the most cost effective tools available on the market.



When time is of the essence, the High Quality steel used on our tools, the robust welding, accurate finishing and their durability have made our products the best available on the market.

Soilmec drilling tool range includes general purpose Augers, boring Buckets, cleaning Buckets and core barrels amongst others. Standard Soilmec drilling tools range from small to large borehole diameters (400 mm - 2000 mm), and offer the possibility to mount kelly box size 130x130 mm, 150x150 mm and 200x200 mm.



Soilmec provides with complete drilling tools range which includes both standard drilling tools and customized drilling tools.

For an easy Soilmec drilling tools selection on this catalogue, our drilling tools has been divided between "coarse - cohesive soil" applications and "rock soil" applications.

Additionally and as a general guide, it has been proposed two matrix, first one for Coarse and Cohesive soils while the second one for Rock soils formation. On both of them it has been indicated Soilmec drilling tools expected range of application.

## Coarse - Cohesive Soil

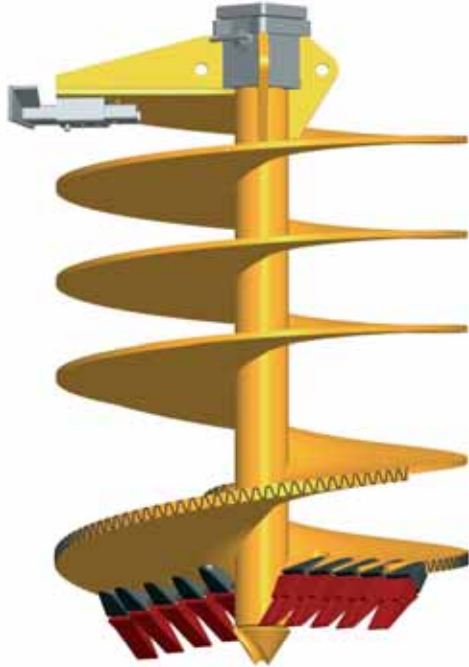
USCS (ASTM D-2487) Soil Description						Drilling Tool		
						BUCKET	AUGER	CORE BARREL
Coarse Grained Soils	Gravels > 50% of coarse fraction retained on N°4 sieve	Clean Gravels	GW	33°-45° 0 KPa	Well-graded gravels and gravel-sand mixtures, little or no fines	SSB-GH25 SSB-GCL25	<i>Not recommended*</i>	<i>Not recommended**</i>
			GP	33°-45° 0 KPa	Well-graded gravels and gravel-sand mixtures, little or no fines	SSB-GH25 SSB-GCL25	<i>Not recommended*</i>	<i>Not recommended**</i>
		Gravel with Fines	GM	30°-40° 0 KPa	Silty gravels, gravel-sand-silt mixtures.> 12% fines	SSB-GH25 SSB-GCL25	<i>Not recommended*</i>	<i>Not recommended**</i>
			GC	30°-40° 0 KPa	Clayey gravels, gravel-sand-clay mixtures.>12% fines	SSB-GH25 SSB-GCL25	<i>Not recommended*</i>	<i>Not recommended**</i>
	Sands >=50% of coarse fraction retained on N°4 sieve	Clean Sands	SW	30°-40° 0 KPa	Well grade sand, fine to coarse sand	SSB-G25 • SSB-GH25 SSB-LW30 • SSB-GCL25	<i>Not recommended*</i>	<i>Not recommended**</i>
			SP	30°-40° 0 KPa	Poorly-graded sand	SSB-G25 • SSB-GH25 SSB-LW30 • SSB-GCL25	<i>Not recommended*</i>	<i>Not recommended**</i>
		Sands with Fines	SM	28°-35° 0 KPa	Silty sand, sand-silt mixtures	SSB-H05 • SSB-G25 SSB-GH25 • SSB-LW30 SSB-CN60-SSB-GCL25	SSA-H30	<i>Not recommended**</i>
			SC	28°-35° 0 KPa	Clayey sands, sand-clay mixtures	SSB-H05 • SSB-G25 SSB-GH25 • SSB-LW30 SSB-CN60 • SSB-GCL25	SSA-H30	<i>Not recommended**</i>
Fine Grained Soils	Silts and Clays liquid limit (LL)< 50	ML	0-200 KPa	Inorganic silts, very fine sands, rock four, silty or clayey fine sands	SSB-05 • SSB-H05 SSB-LW30 • SSB-CN60 SSB-CL05	SSA-40 SSA-H30	<i>Not recommended**</i>	
		CL	0-300 KPa	Inorganic clays of low to medium plasticity, gravelly/sandy/silty /lean clays	SSB-05 • SSB-H05 SSB-LW30 • SSB-CN60 SSB-CL05	SSA-40 SSA-H30	<i>Not recommended**</i>	
		OL	0-200 KPa	Organic silts and organic silty clays of low plasticity	SSB-05 • SSB-H05 SSB-LW30 • SSB-CN60 SSB-CL05	SSA-40 SSA-H30	<i>Not recommended**</i>	
	Silts and Clays liquid limit (LL)>= 50	MH	0-20 KPa	Silt of high plasticity, elastic silt	SSB-05 • SSB-H05 SSB-LW30 • SSB-CN60 SSB-CL05 • SSB-SP00	SSA-40 SSA-H30	<i>Not recommended**</i>	
		CH	0-200 KPa	Clay of high plasticity, fat clay	SSB-05 • SSB-H05 SSB-LW30 • SSB-CN60 SSB-CL05 • SSB-SP00	SSA-40 SSA-H30	<i>Not recommended**</i>	
		OH	0-10 KPa	Organic clay, organic silt	SSB-05 • SSB-H05 SSB-LW30 • SSB-CN60 SSB-CL05 • SSB-SP00	SSA-40 SSA-H30	<i>Not recommended**</i>	
Highly Organic Soils	Pt	0-10 KPa	Peat muck and other highly organics soils	SSB-05 • SSB-H05 SSB-LW30 • SSB-CN60 SSB-CL05 • SSB-SP00	SSA-40 SSA-H30	<i>Not recommended**</i>		

Prefix: **G** = Gravel, **S** = Sand, **M** = Silt, **C** = Clay, **O** = Organic - Suffix: **W** = Well Graded, **P** = Poorly Graded, **M** = Silty, **L** = Clay, **LL** < 50 %, **H** = Caly, **LL** > 50%

\* In cohesionless materials, Auger may not have expected productivity because soil material will not stay on the Auger flights during extraction.

\*\* No table to extract soil material from drilled hole. Backup tool in case of large Boulders presence.

# AUGERS

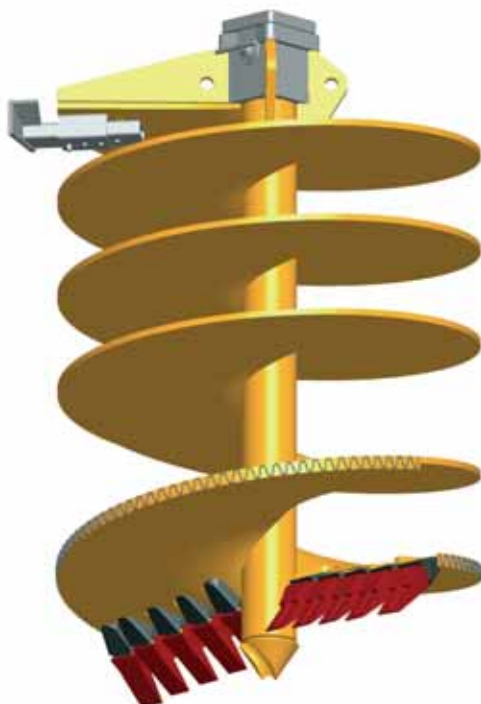


## SSA - 40 (Auger)

AUGER for fine grained and organic soils like silty or clayey fine sands, organic/inorganic silts; high/medium/low plasticity clays; fat clays; peat; muck.  
USCS soils: **ML, CL, OL, MH, CH, OH, Pt** .

Teeth: Flat ESCO Super V  
Nom. length: 1310 mm (ç 400 mm) - 1410 mm (ç 500/600 mm)  
1550 mm (from ç 700 to 1200 mm)

Ø	Kelly Box	PART N°		
		130 x 130 mm	150 x 150 mm	200 x 200 mm
400	MZ040140W		MZ040140X	-
500	MZ050140W		MZ050140X	-
600	MZ060140W		MZ060140X	MZ060140Z
700	MZ070140W		MZ070140X	MZ070140Z
800	MZ080140W		MZ080140X	MZ080140Z
900	MZ090140W		MZ090140X	MZ090140Z
1000	MZ100140W		MZ100140X	MZ100140Z
1100	MZ110140W		MZ110140X	MZ110140Z
1200	MZ120140W		MZ120140X	MZ120140Z



## SSA - H30 (Heavy Duty Auger)

Heavy Duty AUGER for sand with fines, fine grained and organic soils like silty sands, sand-silt mixtures, clayey sand, sand-clay mixtures, organic and inorganic silts; high/medium/low plasticity clays; fat clays; peat; muck.

USCS soils: **SM, SC, ML, CL, OL, MH, CH, OH, Pt**.

Teeth: Flat ESCO Super V  
Nom. length: 2350 mm (fl 400 or 500 mm).  
2150 mm (fl 600 to 1000 mm)  
2000 mm (from fl 1100 to 1400 mm)  
1700 mm (from fl 15000 to 2000 mm)

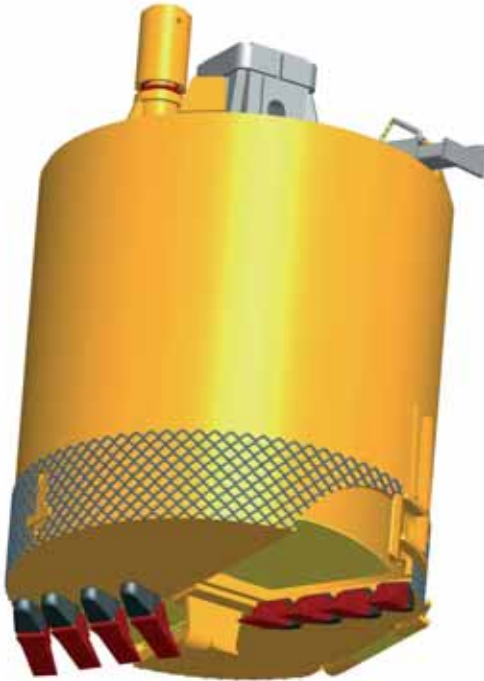
Ø	Kelly Box	PART N°		
		130 x 130 mm	150 x 150 mm	200 x 200 mm
400	MH040130W		MH040130X	-
500	MH050130W		MH050130X	-
600	MH060130W		MH060130X	MH060130Z
700	MH070130W		MH070130X	MH070130Z
800	MH080130W		MH080130X	MH080130Z
900	MH090130W		MH090130X	MH090130Z
1000	MH100130W		MH100130X	MH100130Z
1100	MH110130W		MH110130X	MH110130Z
1200	MH120130W		MH120130X	MH120130Z
1300	MH130130W		MH130130X	MH130130Z
1400	MH140130W		MH140130X	MH140130Z
1500	MH150130W		MH150130X	MH150130Z
1600	MH160130W		MH160130X	MH160130Z
1700	MH170130W		MH170130X	MH170130Z
1800	MH180130W		MH180130X	MH180130Z
1900	MH190130W		MH190130X	MH190130Z
2000	MH200130W		MH200130X	MH200130Z

## SSB - 05 (Bucket)

BUCKET for fine grained and organic soils like silty or clayey fine sands, organic/inorganic silts; high/medium/low plasticity clays; fat clays; peat; muck.

USCS soils: **ML, CL, OL, MH, CH, OH, Pt** .

Teeth: Flat ESCO Super V  
Body length: 1300 mm.  
Nom. length: 1600 mm.



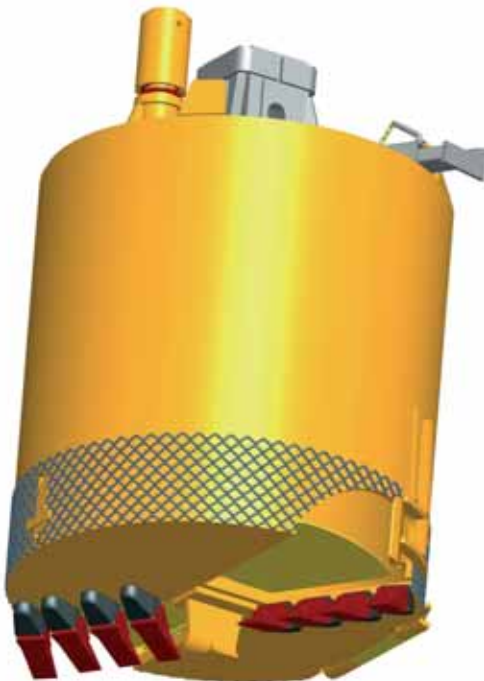
Ø	Kelly Box	PART N°		
		130 x 130 mm	150 x 150 mm	200 x 200 mm
600	MZ060405W		MZ060405X	-
700	MZ070405W		MZ070405X	-
800	MZ080405W		MZ080405X	MZ080405Z
900	MZ090405W		MZ090405X	MZ090405Z
1000	MZ100405W		MZ100405X	MZ100405Z
1100	MZ110405W		MZ110405X	MZ110405Z
1200	MZ120405W		MZ120405X	MZ120405Z
1300	MZ130405W		MZ130405X	MZ130405Z
1400	MZ140405W		MZ140405X	MZ140405Z
1500	MZ150405W		MZ150405X	MZ150405Z
1600	MZ160405W		MZ160405X	MZ160405Z
1700	MZ170405W		MZ170405X	MZ170405Z
1800	MZ180405W		MZ180405X	MZ180405Z
1900	MZ190405W		MZ190405X	MZ190405Z
2000	MZ200405W		MZ200405X	MZ200405Z

## SSB - H05 (Heavy Duty Bucket)

Heavy Duty BUCKET for sand with fines, fine grained and organic soils like silty sands, sand-silt mixtures, clayey sand, sand-clay mixtures, organic and inorganic silts; high/medium/low plasticity clays; fat clays; peat; muck.

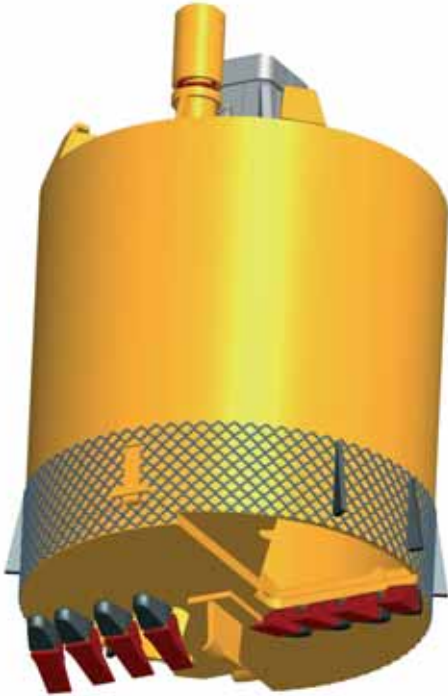
USCS soils: **SM, SC, ML, CL, OL, MH, CH, OH, Pt**.

Teeth: Flat ESCO Super V  
Body length: 1300 mm.  
Nom. length: 1630 mm.



Ø	Kelly Box	PART N°		
		130 x 130 mm	150 x 150 mm	200 x 200 mm
600	MH060405W		MH060405X	-
700	MH070405W		MH070405X	-
800	MH080405W		MH080405X	MH080405Z
900	MH090405W		MH090405X	MH090405Z
1000	MH100405W		MH100405X	MH100405Z
1100	MH110405W		MH110405X	MH110405Z
1200	MH120405W		MH120405X	MH120405Z
1300	MH130405W		MH130405X	MH130405Z
1400	MH140405W		MH140405X	MH140405Z
1500	MH150405W		MH150405X	MH150405Z
1600	MH160405W		MH160405X	MH160405Z
1700	MH170405W		MH170405X	MH170405Z
1800	MH180405W		MH180405X	MH180405Z
1900	MH190405W		MH190405X	MH190405Z
2000	MH200405W		MH200405X	MH200405Z

# BUCKETS

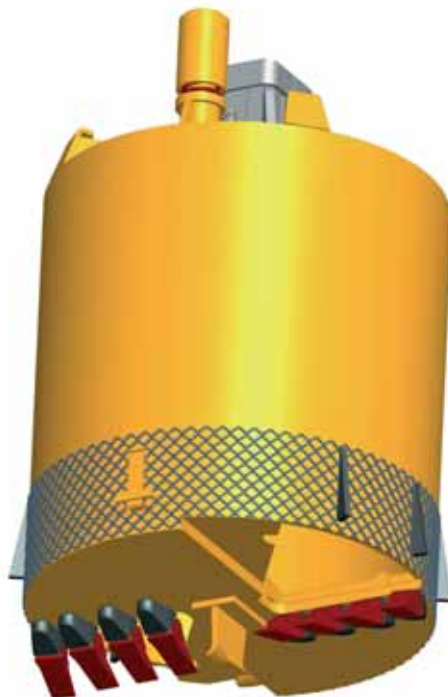


## SSB - G25 (Guillotine Bucket)

Guillotine BUCKET mainly for sands with 50% or more coarse fraction retained on N° 4 sieve like clean sands and sands with fines.  
USCS soils: **SW, SP, SM, SC.**

Teeth: Flat ESCO Super V  
Body length: 1300 mm.  
Nom. length: 1650 mm.

Ø	Kelly Box	PART N°		
		130 x 130 mm	150 x 150 mm	200 x 200 mm
800	MZ080425W	MZ080425X	MZ080425Z	
900	MZ090425W	MZ090425X	MZ090425Z	
1000	MZ100425W	MZ100425X	MZ100425Z	
1100	MZ110425W	MZ110425X	MZ110425Z	
1200	MZ120425W	MZ120425X	MZ120425Z	
1300	MZ130425W	MZ130425X	MZ130425Z	
1400	MZ140425W	MZ140425X	MZ140425Z	
1500	MZ150425W	MZ150425X	MZ150425Z	
1600	MZ160425W	MZ160425X	MZ160425Z	
1700	MZ170425W	MZ170425X	MZ170425Z	
1800	MZ180425W	MZ180425X	MZ180425Z	
1900	MZ190425W	MZ190425X	MZ190425Z	
2000	MZ200425W	MZ200425X	MZ200425Z	



## SSB - GH25 (Heavy Duty Guillotine Bucket)

Heavy Duty Guillotine BUCKET for coarse grained soils like clean gravels, gravel with fines, clean sands and sands with fines.

USCS soils: **GW, GP, GM, GC SW, SP, SM, SC.**

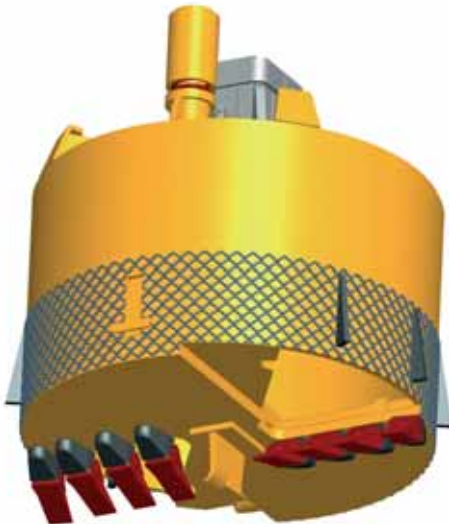
Teeth: Flat ESCO Super V  
Body length: 1300 mm.  
Nom. length: 1700 mm.

Ø	Kelly Box	PART N°		
		130 x 130 mm	150 x 150 mm	200 x 200 mm
800	MH080425W	MH080425X	MH080425Z	
900	MH090425W	MH090425X	MH090425Z	
1000	MH100425W	MH100425X	MH100425Z	
1100	MH110425W	MH110425X	MH110425Z	
1200	MH120425W	MH120425X	MH120425Z	
1300	MH130425W	MH130425X	MH130425Z	
1400	MH140425W	MH140425X	MH140425Z	
1500	MH150425W	MH150425X	MH150425Z	
1600	MH160425W	MH160425X	MH160425Z	
1700	MH170425W	MH170425X	MH170425Z	
1800	MH180425W	MH180425X	MH180425Z	
1900	MH190425W	MH190425X	MH190425Z	
2000	MH200425W	MH200425X	MH200425Z	

## SSB - LW30 (Compact Guillotine Bucket)

Compact BUCKET for clean sands, sands with fines, fine grained and organic soils like well graded sand, fine to coarse sand, silty sands, clayey sands, silty or clayey fine sands, organic/inorganic silts; high/medium/low plasticity clays; fat clays; peat; muck.  
USCS soils: **SW, SP, SM, SC, ML, CL, OL, MH, CH, OH, Pt** .

Teeth: Flat ESCO Super V  
Body length: 700 mm.  
Nom. length: 1050 mm.

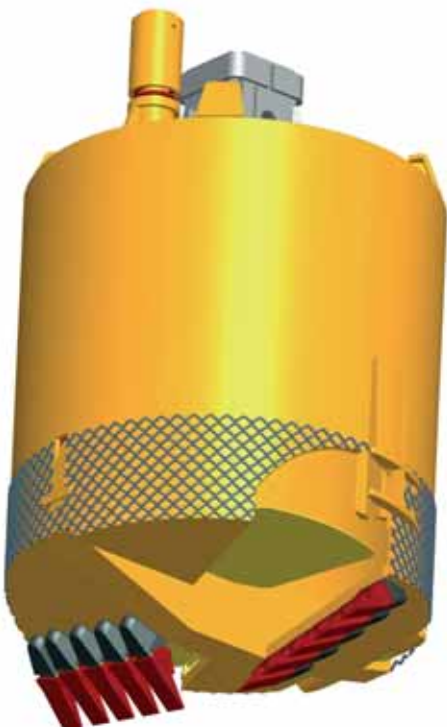


Ø	Kelly Box	PART N°		
		130 x 130 mm	150 x 150 mm	200 x 200 mm
800	MZ080430W		MZ080430X	MZ080430Z
900	MZ090430W		MZ090430X	MZ090430Z
1000	MZ100430W		MZ100430X	MZ100430Z
1100	MZ110430W		MZ110430X	MZ110430Z
1200	MZ120430W		MZ120430X	MZ120430Z
1300	MZ130430W		MZ130430X	MZ130430Z
1400	MZ140430W		MZ140430X	MZ140430Z
1500	MZ150430W		MZ150430X	MZ150430Z
1600	MZ160430W		MZ160430X	MZ160430Z
1700	MZ170430W		MZ170430X	MZ170430Z
1800	MZ180430W		MZ180430X	MZ180430Z
1900	MZ190430W		MZ190430X	MZ190430Z
2000	MZ200430W		MZ200430X	MZ200430Z

## SSB - CN60 (Heavy Duty Conical Bottom Bucket)

Heavy Duty Conical bottom BUCKET for sand with fines, fine grained and organic soils like silty sands, sand-silt mixtures, clayey sand, sand-clay mixtures, organic and inorganic silts; high/medium/low plasticity clays; fat clays; peat; muck.  
USCS soils: **SM, SC, ML, CL, OL, MH, CH, OH, Pt**.

Teeth: Flat ESCO Super V  
Body length: 1300 mm.  
Nom. length: 1600 mm.



Ø	Kelly Box	PART N°		
		130 x 130 mm	150 x 150 mm	200 x 200 mm
600	MH060460W		MH060460X	-
700	MH070460W		MH070460X	-
800	MH080460W		MH080460X	MH080460Z
900	MH090460W		MH090460X	MH090460Z
1000	MH100460W		MH100460X	MH100460Z
1100	MH110460W		MH110460X	MH110460Z
1200	MH120460W		MH120460X	MH120460Z
1300	MH130460W		MH130460X	MH130460Z
1400	MH140460W		MH140460X	MH140460Z
1500	MH150460W		MH150460X	MH150460Z
1600	MH160460W		MH160460X	MH160460Z
1700	MH170460W		MH170460X	MH170460Z
1800	MH180460W		MH180460X	MH180460Z
1900	MH190460W		MH190460X	MH190460Z
2000	MH200460W		MH200460X	MH200460Z

# BUCKETS

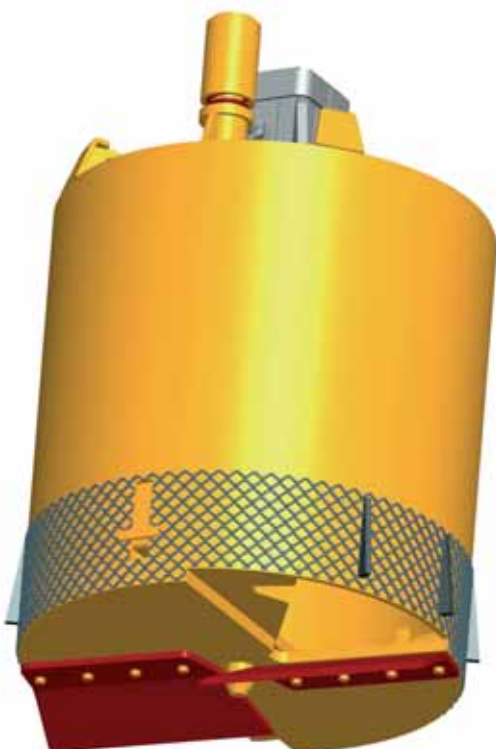


## SSB - CL05 (Heavy Duty Cleaning Bucket)

Heavy Duty Cleaning BUCKET for fine grained and organic soils like silty or clayey fine sands, organic/inorganic silts; high/medium/low plasticity clays; fat clays; peat; muck.  
USCS soils: **ML, CL, OL, MH, CH, OH, Pt.**

Teeth: *Hardox Blade.*  
Nom. length: *1600 mm.*

Ø	Kelly Box	PART N°		
		130 x 130 mm	150 x 150 mm	200 x 200 mm
600	MC060405W		MC060405X	-
700	MC070405W		MC070405X	-
800	MC080405W		MC080405X	MC080405Z
900	MC090405W		MC090405X	MC090405Z
1000	MC100405W		MC100405X	MC100405Z
1100	MC110405W		MC110405X	MC110405Z
1200	MC120405W		MC120405X	MC120405Z
1300	MC130405W		MC130405X	MC130405Z
1400	MC140405W		MC140405X	MC140405Z
1500	MC150405W		MC150405X	MC150405Z
1600	MC160405W		MC160405X	MC160405Z
1700	MC170405W		MC170405X	MC170405Z
1800	MC180405W		MC180405X	MC180405Z
1900	MC190405W		MC190405X	MC190405Z
2000	MC200405W		MC200405X	MC200405Z



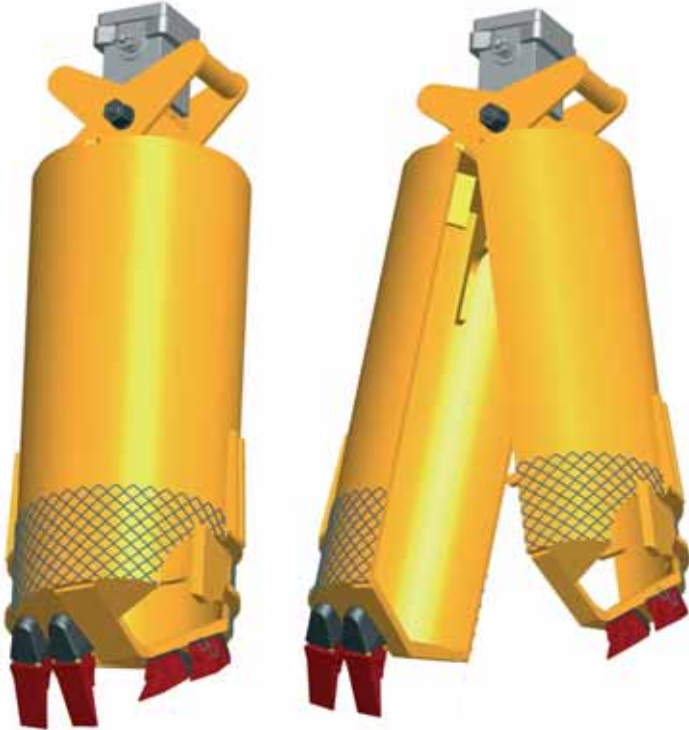
## SSB - GCL25 (Heavy Duty Guillotine Cleaning Bucket)

Heavy Duty Guillotine Cleaning BUCKET for coarse grained soils like clean gravels, gravel with fines, clean sands and sands with fines.  
USCS soils: **GW, GP, GM, GC SW, SP, SM, SC.**

Teeth: *Hardox Blade.*  
Nom. length: *1600 mm.*

Ø	Kelly Box	PART N°		
		130 x 130 mm	150 x 150 mm	200 x 200 mm
800	MC080425W		MC080425X	MC080425Z
900	MC090425W		MC090425X	MC090425Z
1000	MC100425W		MC100425X	MC100425Z
1100	MC110425W		MC110425X	MC110425Z
1200	MC120425W		MC120425X	MC120425Z
1300	MC130425W		MC130425X	MC130425Z
1400	MC140425W		MC140425X	MC140425Z
1500	MC150425W		MC150425X	MC150425Z
1600	MC160425W		MC160425X	MC160425Z
1700	MC170425W		MC170425X	MC170425Z
1800	MC180425W		MC180425X	MC180425Z
1900	MC190425W		MC190425X	MC190425Z
2000	MC200425W		MC200425X	MC200425Z





## SSB - SP00 (Hardpan Bucket)

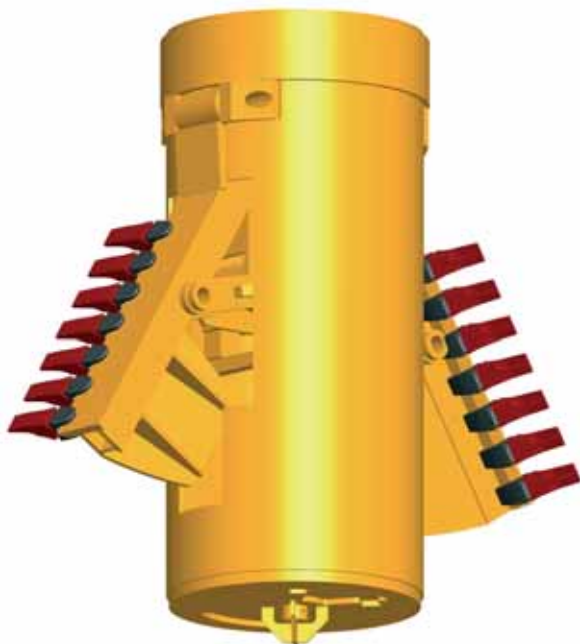
BUCKET for fine grained and organic soils like silty or clayey, high/plasticity clays; fat clays; peat; muck.

Normally used on small diameters.

USCS soils: MH, CH, OH, Pt.

Teeth: Flat ESCO Super V  
Nom. length: 1500 mm.

Ø	Kelly Box	PART N°		
		130 x 130 mm	150 x 150 mm	200 x 200 mm
500		MH050400W	MH050400X	-
600		MH060400W	MH060400X	-
700		MH070400W	MH070400X	-
800		MH080400W	MH080400X	MH080400Z



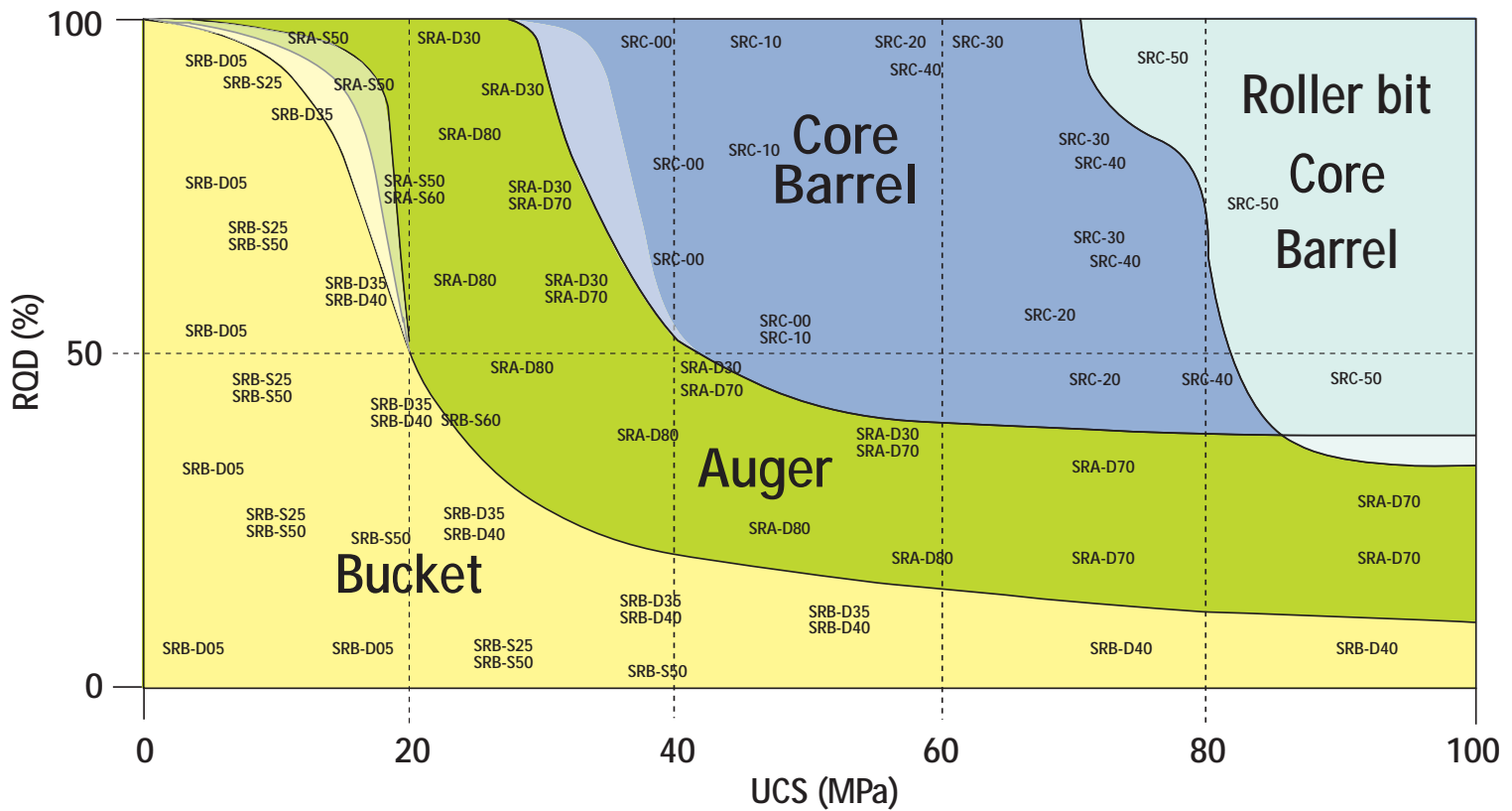
## SSB - BB10 (Heavy Duty Belling Bucket)

Mx. Bell Diam: 2 ft (1200 mm - 3000 mm)

Teeth: Flat ESCO Super V

Ø	Kelly Box	PART N°		
		130 x 130 mm	150 x 150 mm	200 x 200 mm
600		MH060410W	MH060410X	MH060410Z
700		MH070410W	MH070410X	MH070410Z
800		MH080410W	MH080410X	MH080410Z
900		MH090410W	MH090410X	MH090410Z
1000		MH100410W	MH100410X	MH100410Z
1100		MH110410W	MH110410X	MH110410Z
1200		MH120410W	MH120410X	MH120410Z
1300		MH130410W	MH130410X	MH130410Z
1400		MH140410W	MH140410X	MH140410Z
1500		MH150410W	MH150410X	MH150410Z

# ROCK DRILLING TOOLS



Rock main properties affecting cutting performance are:

- Uniaxial compressive strength [MPa] and tensile strength [MPa]
- Abrasivity or quartz content
- Structure of the rock (i.e. number and distance and direction of fractures)

Soilmec Drilling Tools are capable to cut rock with a hardness up to 100 MPa strength.

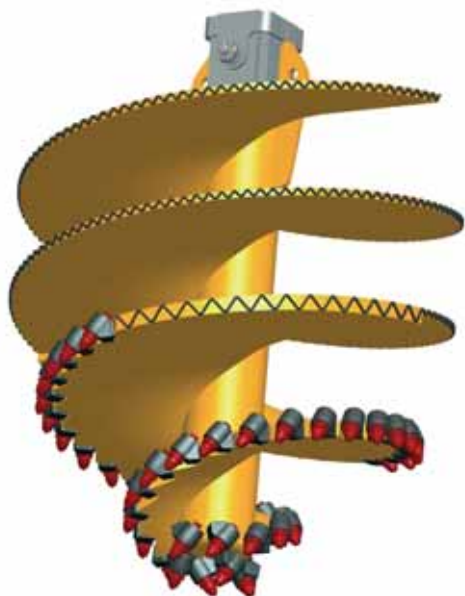
Under certain circumstances (e.g. highly fractured material) even harder material can be cut.



## SRA - D30 (Heavy Duty - Double Start Rock Auger)

Heavy Duty double start SRA-D30 auger built-in with 25 mm round shank pick. Generally used for cutting medium-soft rock formations, high fractured medium-hard rock formation and decompressed rock formations.

*Teeth:* 25 mm Shank.  
*Nom. length:* 1240 mm (fl 400 or 500 mm).  
 1440 mm (from fl 600 to 1000 mm and from 1500 to 2000 mm)  
 1640 mm (from fl 1100 to 1400 mm)



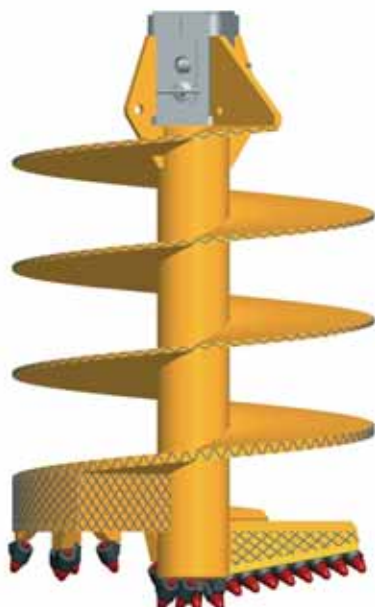
Ø	Kelly Box	PART N°		
		130 x 130 mm	150 x 150 mm	200 x 200 mm
400	MQ040130W	MQ040130X	-	-
500	MQ050130W	MQ050130X	-	-
600	MQ060130W	MQ060130X	MQ060130Z	MQ060130Z
700	MQ070130W	MQ070130X	MQ070130Z	MQ070130Z
800	MQ080130W	MQ080130X	MQ080130Z	MQ080130Z
900	MQ090130W	MQ090130X	MQ090130Z	MQ090130Z
1000	MQ100130W	MQ100130X	MQ100130Z	MQ100130Z
1100	MQ110130W	MQ110130X	MQ110130Z	MQ110130Z
1200	MQ120130W	MQ120130X	MQ120130Z	MQ120130Z
1300	MQ130130W	MQ130130X	MQ130130Z	MQ130130Z
1400	MQ140130W	MQ140130X	MQ140130Z	MQ140130Z
1500	MQ150130W	MQ150130X	MQ150130Z	MQ150130Z
1600	MQ160130W	MQ160130X	MQ160130Z	MQ160130Z
1700	MQ170130W	MQ170130X	MQ170130Z	MQ170130Z
1800	MQ180130W	MQ180130X	MQ180130Z	MQ180130Z
1900	MQ190130W	MQ190130X	MQ190130Z	MQ190130Z
2000	MQ200130W	MQ200130X	MQ200130Z	MQ200130Z

## SRA - S50 (Heavy Duty - Single Start Rock Augers)

Heavy Duty single start augers built-in with 25 mm round shank pick. Generally used for cutting soft rock formation, medium-soft rock formation and decompressed rock formations.

*Teeth:* 25 mm Shank.  
*Nom. length:* 2300 mm (fl 400 to 700 mm).  
 2000 mm (from fl 800 to 2000)

Ø	Kelly Box	PART N°		
		130 x 130 mm	150 x 150 mm	200 x 200 mm
400	MQ040150W	MQ040150X	-	-
500	MQ050150W	MQ050150X	-	-
600	MQ060150W	MQ060150X	MQ060150Z	MQ060150Z
700	MQ070150W	MQ070150X	MQ070150Z	MQ070150Z
800	MQ080150W	MQ080150X	MQ080150Z	MQ080150Z
900	MQ090150W	MQ090150X	MQ090150Z	MQ090150Z
1000	MQ100150W	MQ100150X	MQ100150Z	MQ100150Z
1100	MQ110150W	MQ110150X	MQ110150Z	MQ110150Z
1200	MQ120150W	MQ120150X	MQ120150Z	MQ120150Z
1300	MQ130150W	MQ130150X	MQ130150Z	MQ130150Z
1400	MQ140150W	MQ140150X	MQ140150Z	MQ140150Z
1500	MQ150150W	MQ150150X	MQ150150Z	MQ150150Z
1600	MQ160150W	MQ160150X	MQ160150Z	MQ160150Z
1700	MQ170150W	MQ170150X	MQ170150Z	MQ170150Z
1800	MQ180150W	MQ180150X	MQ180150Z	MQ180150Z
1900	MQ190150W	MQ190150X	MQ190150Z	MQ190150Z
2000	MQ200150W	MQ200150X	MQ200150Z	MQ200150Z



## SRA - S60 (Heavy Duty - Single Start Rock Augers)

Heavy Duty single start augers built-in with 30 mm round shank pick. Generally used for cutting soft rock formation, medium-soft fractured rock formation and decompressed rock formations.

*Teeth:* 30 mm Shank.  
*Nom. length:* 2300 mm (fl 400 to 700 mm).  
 2000 mm (from fl 800 to 2000)

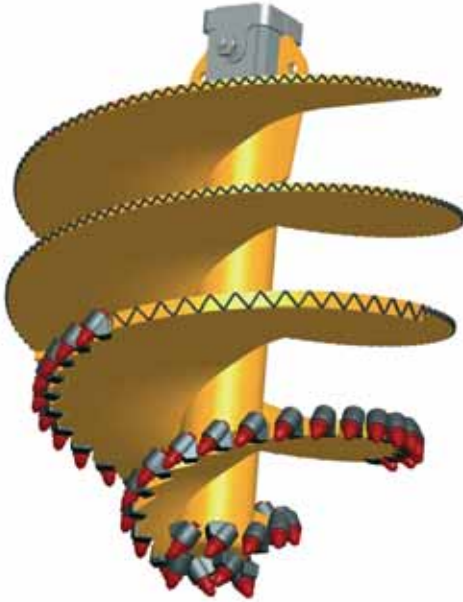
Ø	Kelly Box	PART N°		
		130 x 130 mm	150 x 150 mm	200 x 200 mm
400	MQ040150W	MQ040150X	-	-
500	MQ050150W	MQ050150X	-	-
600	MQ060150W	MQ060150X	MQ060150Z	MQ060150Z
700	MQ070150W	MQ070150X	MQ070150Z	MQ070150Z
800	MQ080150W	MQ080150X	MQ080150Z	MQ080150Z
900	MQ090150W	MQ090150X	MQ090150Z	MQ090150Z
1000	MQ100150W	MQ100150X	MQ100150Z	MQ100150Z
1100	MQ110150W	MQ110150X	MQ110150Z	MQ110150Z
1200	MQ120150W	MQ120150X	MQ120150Z	MQ120150Z
1300	MQ130150W	MQ130150X	MQ130150Z	MQ130150Z
1400	MQ140150W	MQ140150X	MQ140150Z	MQ140150Z
1500	MQ150150W	MQ150150X	MQ150150Z	MQ150150Z
1600	MQ160150W	MQ160150X	MQ160150Z	MQ160150Z
1700	MQ170150W	MQ170150X	MQ170150Z	MQ170150Z
1800	MQ180150W	MQ180150X	MQ180150Z	MQ180150Z
1900	MQ190150W	MQ190150X	MQ190150Z	MQ190150Z
2000	MQ200150W	MQ200150X	MQ200150Z	MQ200150Z

# AUGERS

## SRA - D70 (Heavy Duty - Double Start Rock Auger)

Heavy Duty double start SRA-D70 auger built-in with 30 mm round shank pick. Generally used for cutting medium-soft rock formations, high fractured medium-hard rock formation and decompressed rock formations.

Teeth: 30 mm Shank.  
 Nom. length: 1240 mm (ft 400 or 500 mm).  
 1440 mm (from ft 600 to 1000 mm and from 1500 to 2000 mm).  
 1640 mm (from ft 1100 to 1400 mm).

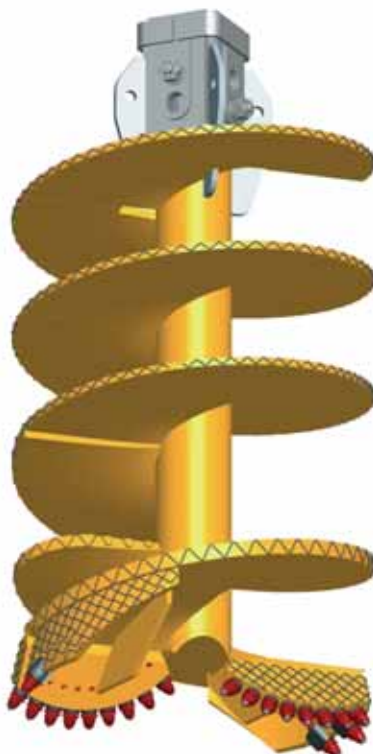


Ø	Kelly Box	PART N°		
		130 x 130 mm	150 x 150 mm	200 x 200 mm
400	MQ040170W		MQ040170X	-
500	MQ050170W		MQ050170X	-
600	MQ060170W		MQ060170X	MQ060170Z
700	MQ070170W		MQ070170X	MQ070170Z
800	MQ080170W		MQ080170X	MQ080170Z
900	MQ090170W		MQ090170X	MQ090170Z
1000	MQ100170W		MQ100170X	MQ100170Z
1100	MQ110170W		MQ110170X	MQ110170Z
1200	MQ120170W		MQ120170X	MQ120170Z
1300	MQ130170W		MQ130170X	MQ130170Z
1400	MQ140170W		MQ140170X	MQ140170Z
1500	MQ150170W		MQ150170X	MQ150170Z
1600	MQ160170W		MQ160170X	MQ160170Z
1700	MQ170170W		MQ170170X	MQ170170Z
1800	MQ180170W		MQ180170X	MQ180170Z
1900	MQ190170W		MQ190170X	MQ190170Z
2000	MQ200170W		MQ200170X	MQ200170Z

## SRA - D80 (Heavy Duty - Double Start Rock Auger)

Heavy Duty double start SRA-D80 auger built-in with 30 mm round shank picks. Generally used for cutting fractured medium-hard rock formation combined with fines and coarse soil formation.

Teeth: 30 mm Shank.  
 Nom. length: 2300 mm (ft 500 to 700 mm).  
 2000 mm (from ft 800 to 2000).

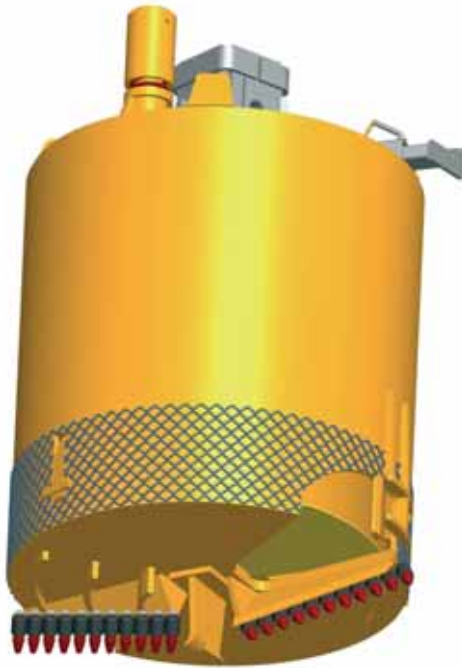


Ø	Kelly Box	PART N°		
		130 x 130 mm	150 x 150 mm	200 x 200 mm
500	MQ050180W		MQ050180X	-
600	MQ060180W		MQ060180X	MQ060180Z
700	MQ070180W		MQ070180X	MQ070180Z
800	MQ080180W		MQ080180X	MQ080180Z
900	MQ090180W		MQ090180X	MQ090180Z
1000	MQ100180W		MQ100180X	MQ100180Z
1100	MQ110180W		MQ110180X	MQ110180Z
1200	MQ120180W		MQ120180X	MQ120180Z
1300	MQ130180W		MQ130180X	MQ130180Z
1400	MQ140180W		MQ140180X	MQ140180Z
1500	MQ150180W		MQ150180X	MQ150180Z
1600	MQ160180W		MQ160180X	MQ160180Z
1700	MQ170180W		MQ170180X	MQ170180Z
1800	MQ180180W		MQ180180X	MQ180180Z
1900	MQ190180W		MQ190180X	MQ190180Z
2000	MQ200180W		MQ200180X	MQ200180Z

## SRB - D05 (Heavy Duty - Double Blade Rock Bucket)

Double blade Heavy Duty SRB-D05 Bucket. Used for cutting soft to medium-hard fractured rock formation combined with low fines and coarse soil; decompressed rock formations.

Teeth: 25 mm Shank.  
Body length: 1300 mm.  
Nom. length: 1800 mm.



Ø Kelly Box	PART N°		
	130 x 130 mm	150 x 150 mm	200 x 200 mm
600	MQ060405W	MQ060405X	-
700	MQ070405W	MQ070405X	-
800	MQ080405W	MQ080405X	MQ080405Z
900	MQ090405W	MQ090405X	MQ090405Z
1000	MQ100405W	MQ100405X	MQ100405Z
1100	MQ110405W	MQ110405X	MQ110405Z
1200	MQ120405W	MQ120405X	MQ120405Z
1300	MQ130405W	MQ130405X	MQ130405Z
1400	MQ140405W	MQ140405X	MQ140405Z
1500	MQ150405W	MQ150405X	MQ150405Z
1600	MQ160405W	MQ160405X	MQ160405Z
1700	MQ170405W	MQ170405X	MQ170405Z
1800	MQ180405W	MQ180405X	MQ180405Z
1900	MQ190405W	MQ190405X	MQ190405Z
2000	MQ200405W	MQ200405X	MQ200405Z

## SRB - S25 (Heavy Duty - Guillotine Single Blade Rock Bucket)

Single blade Heavy Duty SRB-S25 Bucket. Used for cutting soft and medium-soft fractured rock formations; decompressed rock formations.

Teeth: 25 mm Shank  
Body length: 1300 mm  
Nom. length: 1800 mm



Ø Kelly Box	PART N°		
	130 x 130 mm	150 x 150 mm	200 x 200 mm
600	MQ060425W	MQ060425X	-
700	MQ070425W	MQ070425X	-
800	MQ080425W	MQ080425X	MQ080425Z
900	MQ090425W	MQ090425X	MQ090425Z
1000	MQ100425W	MQ100425X	MQ100425Z
1100	MQ110425W	MQ110425X	MQ110425Z
1200	MQ120425W	MQ120425X	MQ120425Z
1300	MQ130425W	MQ130425X	MQ130425Z
1400	MQ140425W	MQ140425X	MQ140425Z
1500	MQ150425W	MQ150425X	MQ150425Z
1600	MQ160425W	MQ160425X	MQ160425Z
1700	MQ170425W	MQ170425X	MQ170425Z
1800	MQ180425W	MQ180425X	MQ180425Z
1900	MQ190425W	MQ190425X	MQ190425Z
2000	MQ200425W	MQ200425X	MQ200425Z

## SRB - S50 (Heavy Duty - Guillotine Single Blade Rock Bucket)

Single blade Heavy Duty SRB-S50 Bucket. Used for cutting and medium-soft and medium-hard fractured rock formations; decompressed rock formations.

Teeth: 30 mm Shank  
Body length: 1300 mm  
Nom. length: 1800 mm

Ø Kelly Box	PART N°		
	130 x 130 mm	150 x 150 mm	200 x 200 mm
600	MQ060425W	MQ060425X	-
700	MQ070425W	MQ070425X	-
800	MQ080425W	MQ080425X	MQ080425Z
900	MQ090425W	MQ090425X	MQ090425Z
1000	MQ100425W	MQ100425X	MQ100425Z
1100	MQ110425W	MQ110425X	MQ110425Z
1200	MQ120425W	MQ120425X	MQ120425Z
1300	MQ130425W	MQ130425X	MQ130425Z
1400	MQ140425W	MQ140425X	MQ140425Z
1500	MQ150425W	MQ150425X	MQ150425Z
1600	MQ160425W	MQ160425X	MQ160425Z
1700	MQ170425W	MQ170425X	MQ170425Z
1800	MQ180425W	MQ180425X	MQ180425Z
1900	MQ190425W	MQ190425X	MQ190425Z
2000	MQ200425W	MQ200425X	MQ200425Z

# BUCKETS

## SRB - D35 (Heavy Duty - Guillotine Double Blade Rock Bucket)

Double blade Heavy Duty SRB-D35 Bucket. Used for cutting medium-soft low fractured rock formation combined with coarse soil; highly fractures hard rock formation and decompressed rock formations.

Teeth: 25 mm Shank  
Body length: 1300 mm.  
Nom. length: 1800 mm.

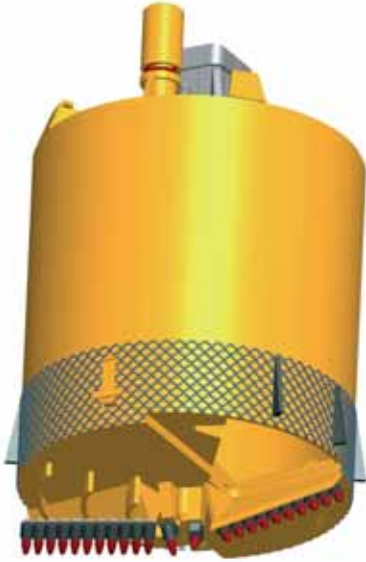
Ø Kelly Box	PART N°		
	130 x 130 mm	150 x 150 mm	200 x 200 mm
800	MQ080435W	MQ080435X	MQ080435Z
900	MQ090435W	MQ090435X	MQ090435Z
1000	MQ100435W	MQ100435X	MQ100435Z
1100	MQ110435W	MQ110435X	MQ110435Z
1200	MQ120435W	MQ120435X	MQ120435Z
1300	MQ130435W	MQ130435X	MQ130435Z
1400	MQ140435W	MQ140435X	MQ140435Z
1500	MQ150435W	MQ150435X	MQ150435Z
1600	MQ160435W	MQ160435X	MQ160435Z
1700	MQ170435W	MQ170435X	MQ170435Z
1800	MQ180435W	MQ180435X	MQ180435Z
1900	MQ190435W	MQ190435X	MQ190435Z
2000	MQ200435W	MQ200435X	MQ200435Z

## SRB - D40 (Heavy Duty - Guillotine Double Blade Rock Bucket)

Double blade Heavy Duty SRB-D40 Bucket. Used for cutting medium-hard fractured rock formation combined with coarse soil; highly fractures hard rock formation and decompressed rock formations.

Teeth: 30 mm Shank  
Body length: 1300 mm.  
Nom. length: 1800 mm.

Ø Kelly Box	PART N°		
	130 x 130 mm	150 x 150 mm	200 x 200 mm
800	MQ080435W	MQ080435X	MQ080435Z
900	MQ090435W	MQ090435X	MQ090435Z
1000	MQ100435W	MQ100435X	MQ100435Z
1100	MQ110435W	MQ110435X	MQ110435Z
1200	MQ120435W	MQ120435X	MQ120435Z
1300	MQ130435W	MQ130435X	MQ130435Z
1400	MQ140435W	MQ140435X	MQ140435Z
1500	MQ150435W	MQ150435X	MQ150435Z
1600	MQ160435W	MQ160435X	MQ160435Z
1700	MQ170435W	MQ170435X	MQ170435Z
1800	MQ180435W	MQ180435X	MQ180435Z
1900	MQ190435W	MQ190435X	MQ190435Z
2000	MQ200435W	MQ200435X	MQ200435Z

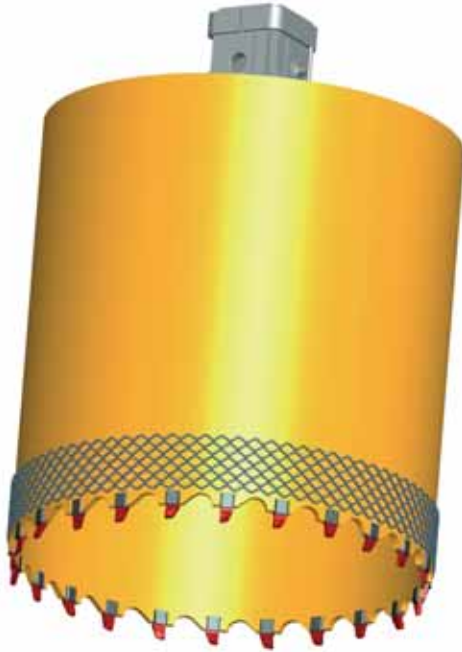


# CORE BARREL

## SRC - 00 (Heavy Duty - Core Barrel)

Heavy Duty SRC-00 Core barrel are built-in with radial tools. Generally used to cut low fractured medium hard rock formation and partially fragmented medium hard rock formations.

Teeth: radial tools.  
Body length: 1750 mm.

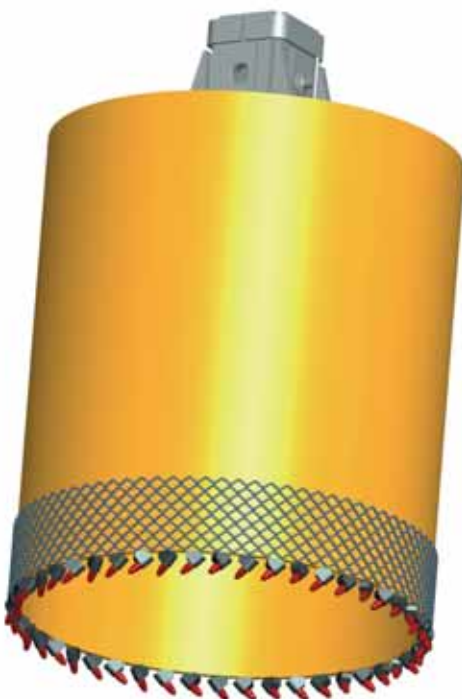


Ø	Kelly Box	PART N°		
		130 x 130 mm	150 x 150 mm	200 x 200 mm
600		MQ060200W	MQ060200X	MQ060200Z
700		MQ070200W	MQ070200X	MQ070200Z
800		MQ080200W	MQ080200X	MQ080200Z
900		MQ090200W	MQ090200X	MQ090200Z
1000		MQ100200W	MQ100200X	MQ100200Z
1100		MQ110200W	MQ110200X	MQ110200Z
1200		MQ120200W	MQ120200X	MQ120200Z
1300		MQ130200W	MQ130200X	MQ130200Z
1400		MQ140200W	MQ140200X	MQ140200Z
1500		MQ150200W	MQ150200X	MQ150200Z
1600		MQ160200W	MQ160200X	MQ160200Z
1700		MQ170200W	MQ170200X	MQ170200Z
1800		MQ180200W	MQ180200X	MQ180200Z
1900		MQ190200W	MQ190200X	MQ190200Z
2000		MQ200200W	MQ200200X	MQ200200Z

## SRC - 10 (Heavy Duty - Core Barrel)

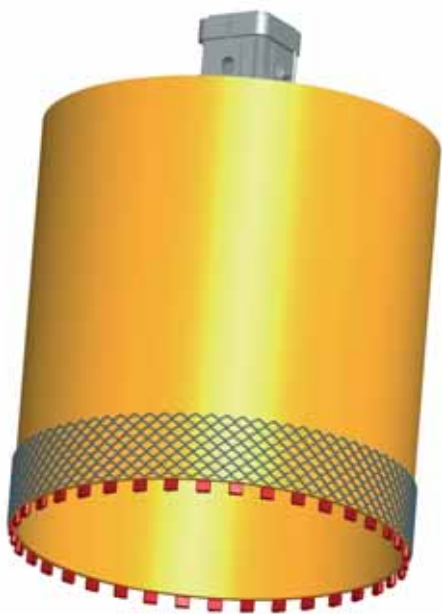
Heavy Duty SRC-10 Core barrel fitted with 19,4 mm round shank chisels tooth. Generally used to cut low fractured medium-soft rock formation to fractured medium-hard rocks formation.

Teeth: 19,4 mm Shank.  
Body length: 1750 mm.



Ø	Kelly Box	PART N°		
		130 x 130 mm	150 x 150 mm	200 x 200 mm
600		MQ060210W	MQ060210X	MQ060210Z
700		MQ070210W	MQ070210X	MQ070210Z
800		MQ080210W	MQ080210X	MQ080210Z
900		MQ090210W	MQ090210X	MQ090210Z
1000		MQ100210W	MQ100210X	MQ100210Z
1100		MQ110210W	MQ110210X	MQ110210Z
1200		MQ120210W	MQ120210X	MQ120210Z
1300		MQ130210W	MQ130210X	MQ130210Z
1400		MQ140210W	MQ140210X	MQ140210Z
1500		MQ150210W	MQ150210X	MQ150210Z
1600		MQ160210W	MQ160210X	MQ160210Z
1700		MQ170210W	MQ170210X	MQ170210Z
1800		MQ180210W	MQ180210X	MQ180210Z
1900		MQ190210W	MQ190210X	MQ190210Z
2000		MQ200210W	MQ200210X	MQ200210Z

# CORE BARREL

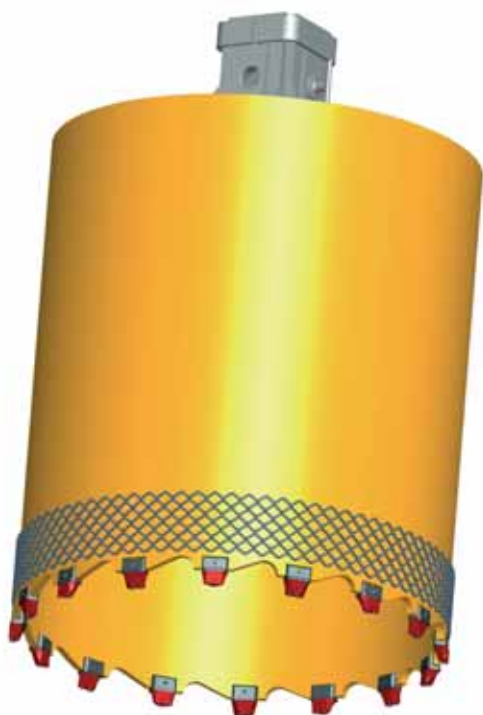


## SRC - 20 (Heavy Duty - Core Barrel)

Heavy Duty SRC-20 Core barrel fitted with welding bars tooth. Generally used to cut low fractured medium and medium hard rock formation up to 80 MPa.

Teeth: Welding bars.  
Body length: 1750 mm.

Ø	Kelly Box	PART N°		
		130 x 130 mm	150 x 150 mm	200 x 200 mm
600	MQ060220W		MQ060220X	MQ060220Z
700	MQ070220W		MQ070220X	MQ070220Z
800	MQ080220W		MQ080220X	MQ080220Z
900	MQ090220W		MQ090220X	MQ090220Z
1000	MQ100220W		MQ100220X	MQ100220Z
1100	MQ110220W		MQ110220X	MQ110220Z
1200	MQ120220W		MQ120220X	MQ120220Z
1300	MQ130220W		MQ130220X	MQ130220Z
1400	MQ140220W		MQ140220X	MQ140220Z
1500	MQ150220W		MQ150220X	MQ150220Z
1600	MQ160220W		MQ160220X	MQ160220Z
1700	MQ170220W		MQ170220X	MQ170220Z
1800	MQ180220W		MQ180220X	MQ180220Z
1900	MQ190220W		MQ190220X	MQ190220Z
2000	MQ200220W		MQ200220X	MQ200220Z



## SRC - 30 (Heavy Duty - Core Barrel)

Heavy Duty SRC-30 Core barrel fitted with quick change bars tooth. Generally used to cut low fractured medium hard rock formation.

Teeth: Quick change bars.  
Body length: 1750 mm.

Ø	Kelly Box	PART N°		
		130 x 130 mm	150 x 150 mm	200 x 200 mm
600	MQ060230W		MQ060230X	MQ060230Z
700	MQ070230W		MQ070230X	MQ070230Z
800	MQ080230W		MQ080230X	MQ080230Z
900	MQ090230W		MQ090230X	MQ090230Z
1000	MQ100230W		MQ100230X	MQ100230Z
1100	MQ110230W		MQ110230X	MQ110230Z
1200	MQ120230W		MQ120230X	MQ120230Z
1300	MQ130230W		MQ130230X	MQ130230Z
1400	MQ140230W		MQ140230X	MQ140230Z
1500	MQ150230W		MQ150230X	MQ150230Z
1600	MQ160230W		MQ160230X	MQ160230Z
1700	MQ170230W		MQ170230X	MQ170230Z
1800	MQ180230W		MQ180230X	MQ180230Z
1900	MQ190230W		MQ190230X	MQ190230Z
2000	MQ200230W		MQ200230X	MQ200230Z



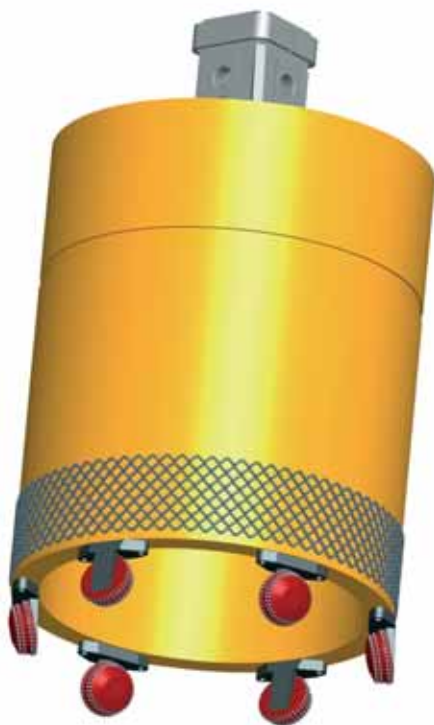


## SRC - 40 (Heavy Duty - Core Barrel)

Heavy Duty SRC-40 Core barrel fitted with 30 mm round shank chisels tooth. Generally used to cut low fractured medium hard rock to fractured hard rock formation up to 80 MPa.

*Teeth: 30 mm shank  
Body length: 1750 mm.*

Ø	Kelly Box	PART N°		
		130 x 130 mm	150 x 150 mm	200 x 200 mm
600	MQ060240W		MQ060240X	MQ060240Z
700	MQ070240W		MQ070240X	MQ070240Z
800	MQ080240W		MQ080240X	MQ080240Z
900	MQ090240W		MQ090240X	MQ090240Z
1000	MQ100240W		MQ100240X	MQ100240Z
1100	MQ110240W		MQ110240X	MQ110240Z
1200	MQ120240W		MQ120240X	MQ120240Z
1300	MQ130240W		MQ130240X	MQ130240Z
1400	MQ140240W		MQ140240X	MQ140240Z
1500	MQ150240W		MQ150240X	MQ150240Z
1600	MQ160240W		MQ160240X	MQ160240Z
1700	MQ170240W		MQ170240X	MQ170240Z
1800	MQ180240W		MQ180240X	MQ180240Z
1900	MQ190240W		MQ190240X	MQ190240Z
2000	MQ200240W		MQ200240X	MQ200240Z



## SRC - 50 (Heavy Duty - Core Barrel)

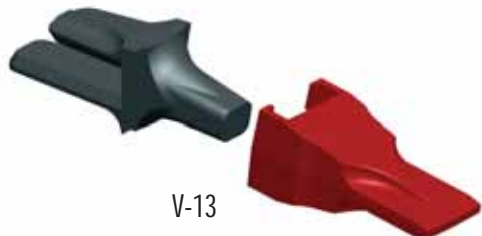
Heavy Duty SRC-50 Core barrel fitted with roller cutters tooth. Generally used to cut low fractured hard rock formation up to 100 MPa.

*Teeth: roller bit cutters  
Body length: 1750 mm.*

Ø	Kelly Box	PART N°		
		130 x 130 mm	150 x 150 mm	200 x 200 mm
600	MQ060250W		MQ060250X	MQ060250Z
700	MQ070250W		MQ070250X	MQ070250Z
800	MQ080250W		MQ080250X	MQ080250Z
900	MQ090250W		MQ090250X	MQ090250Z
1000	MQ100250W		MQ100250X	MQ100250Z
1100	MQ110250W		MQ110250X	MQ110250Z
1200	MQ120250W		MQ120250X	MQ120250Z
1300	MQ130250W		MQ130250X	MQ130250Z
1400	MQ140250W		MQ140250X	MQ140250Z
1500	MQ150250W		MQ150250X	MQ150250Z
1600	MQ160250W		MQ160250X	MQ160250Z
1700	MQ170250W		MQ170250X	MQ170250Z
1800	MQ180250W		MQ180250X	MQ180250Z
1900	MQ190250W		MQ190250X	MQ190250Z
2000	MQ200250W		MQ200250X	MQ200250Z

# WEARING PARTS & KELLY BOX

## ESCO Super V Tooth



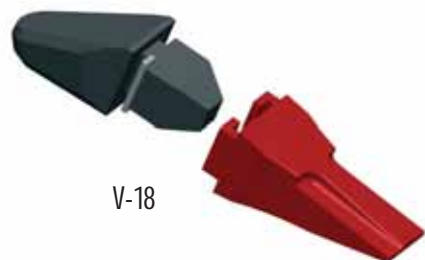
V-13

Code N° tooth: 08720499  
Code N° holder: 08720500  
Code N° PIN: 08720283



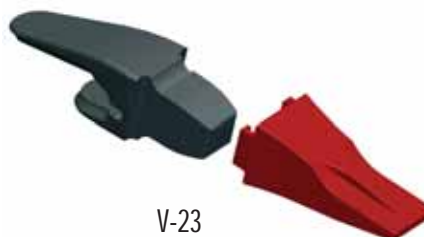
V-19

Code N° tooth: 08720231  
Code N° holder: 08720233  
Code N° PIN: 08720237



V-18

Code N° tooth: 08720282  
Code N° holder: 08720281  
Code PIN: N° 08720283



V-23

Code N° tooth: 08720234  
Code N° holder: 08720236  
Code N° PIN: 08720237

## Round Shank Picks



19,4 mm

Code N° tooth: 08720136  
Code N° holder: 08720097



25 mm

Code N° tooth: 08720212  
Code N° holder: 08720080



30 mm

Code N° tooth: 08720238  
Code N° holder: 08720239

## Core Barrel Teeth

Welding bars



Code N° 0872166

Radial tools



Code N° C. Tooth 08720307  
Code N° L. Tooth 08720308  
Code N° R. Tooth 08720309  
Code N° Holder 08720310

Quick change bars



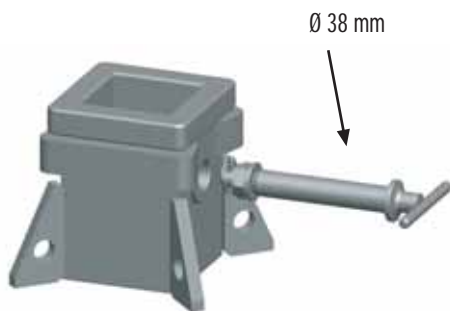
Code N° tooth 08720273  
Code N° holder 08720274

Roller bit



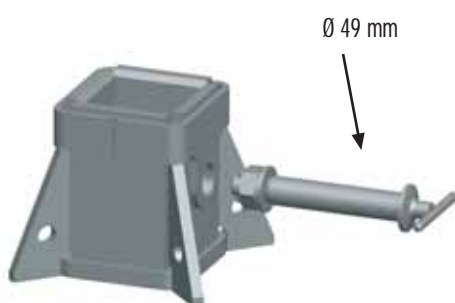
Code N° roller bit 08720945

# KELLY BOX & KELLY BOX ADAPTER



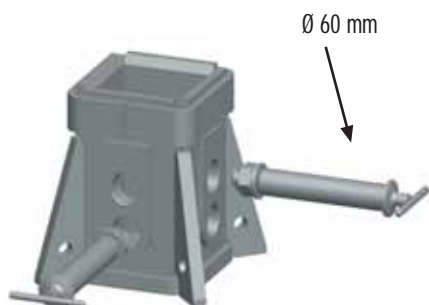
130x130 mm

Code N° Box 08791059  
Code N° PIN 02290028  
Code N° stiffening bead: 08743703



150x150 mm

Code N° box 08791068  
Code N° PIN 02290027  
Code N° stiffening bead: 08743704



200x200 mm

Code N° box 08791067  
Code N° PIN 02290042  
Code N° stiffening bead: 08743727



Fm x MI.  
130x150 Adaptor Code N° 02290036  
130x200 Adaptor Code N° 02290034  
150x130 Adaptor Code N° 02290035  
150x200 Adaptor Code N° 02290038  
200x130 Adaptor Code N° 02290052  
200x150 Adaptor Code N° 02290045

Fm = Female size in mm.  
MI = Male size in mm.

SOILMEC distributes machinery and structures all over the world, supported by SOILMEC subsidiary companies and representative offices as:

**SOILMEC LTD** - U.K.

**SOILMEC MISR S.A.E. Co.** - Egypt

**SOILMEC (H.K.) Limited** - Hong Kong

**SOILMEC JAPAN CO LTD** - Japan

**SOILMEC S.P.A.** - Beijing Repr. Office - P.R. China

**SOILMEC FAR EAST PTE.LTD** - Singapore

**SOILMEC ARABIA LLC** - Saudi Arabia

**SOILMEC EMIRATES** - U.A.E.

**SOILMEC GULF** - U.A.E.

**SOILMEC FRANCE S.A.S.** - France

**SOILMEC INDIA** - India

**SOILMEC S.P.A.** - Moscow Repr. Office - Russia

**SOILMEC DEUTSCHLAND GmbH** - Deutschland

**SOILMEC NORTH AMERICA** - Boston - USA

## CERTIFIED QUALITY SYSTEM

In 1990 Soilmec was awarded with the certification of its Quality System complying with ISO 9001:2000 and ISO 14001:2004 standards.



**SOILMEC S.p.A.**

**Drilling and Foundation Equipment**

5819, via Dismano

47023 Cesena (FC) - Italy

tel. +39-0547-319111

fax +39-0547-318548

[http:// www.soilmec.it](http://www.soilmec.it)

e-mail: [soilmec@soilmec.it](mailto:soilmec@soilmec.it)

All technical data are purely indicative and subject to change without notice

**soilmec**   
Drilling and Foundation Equipment